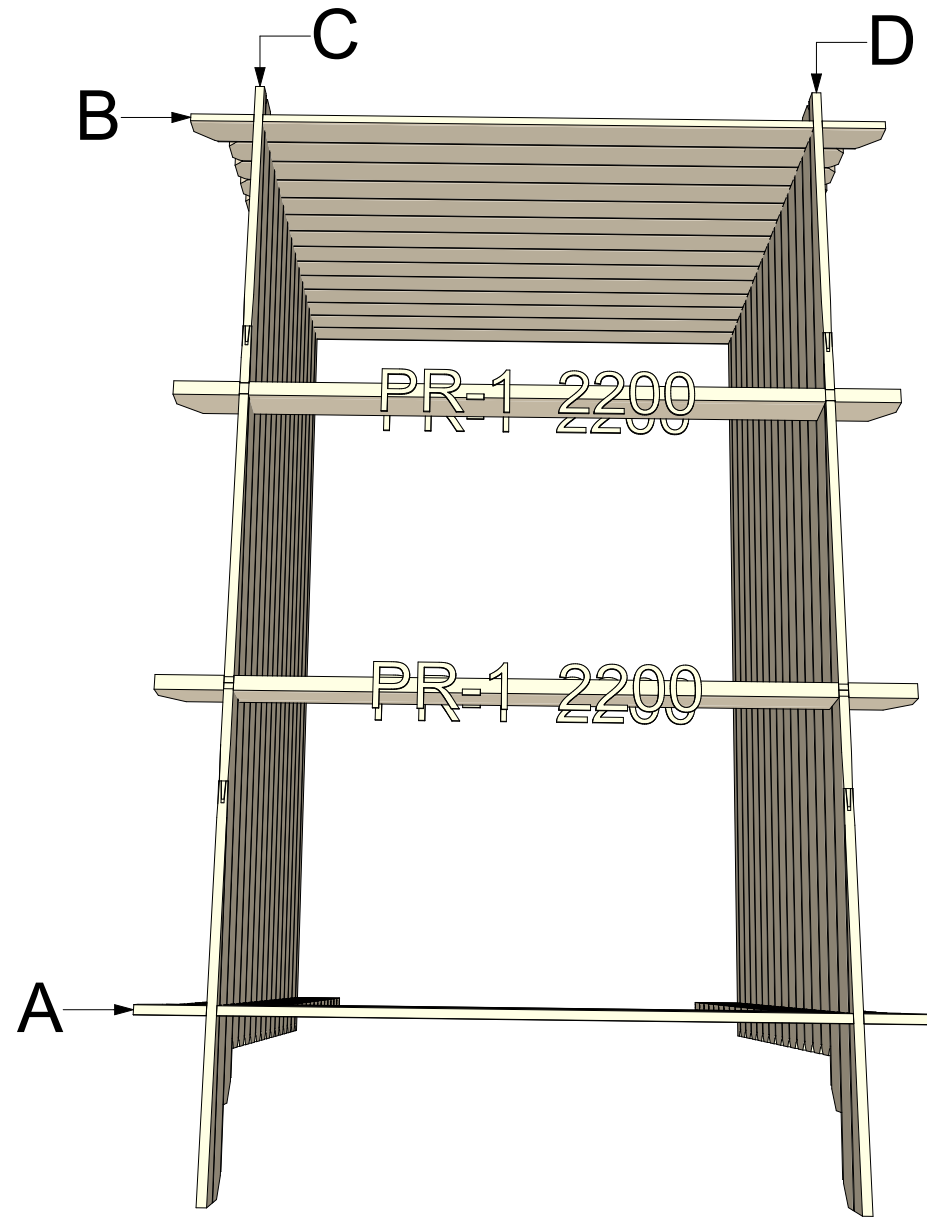




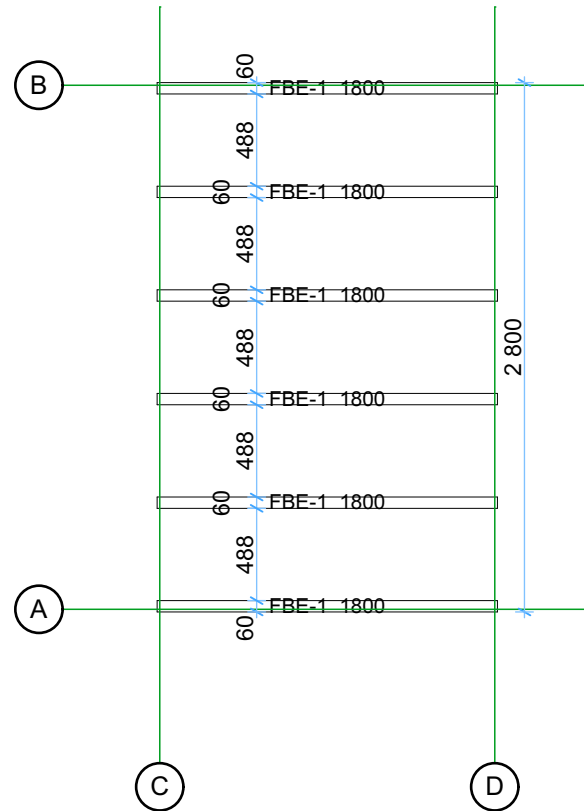
28 Lazio 2x3

posizione pareti

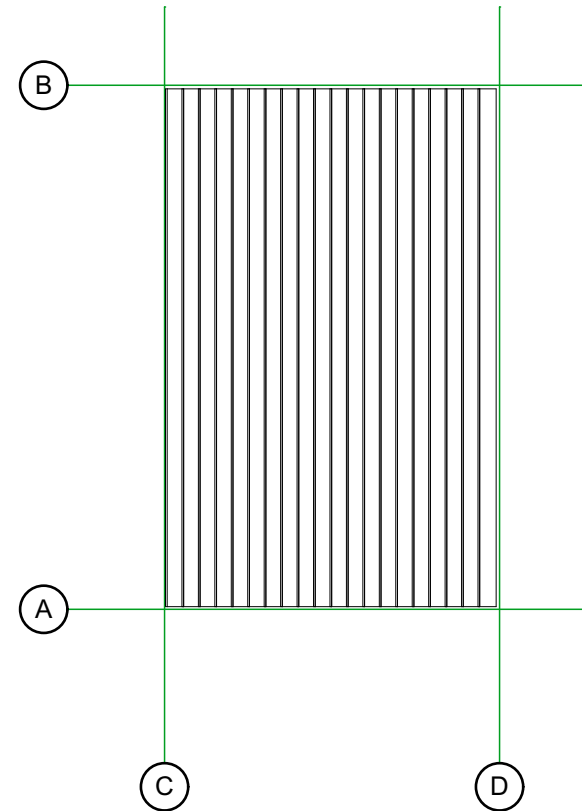


Thickness:	Project name:	Project ID:	Year:	Page:
28	Lazio	2x3	2021	2

Travetti sotto pavimento 60x28 1:40



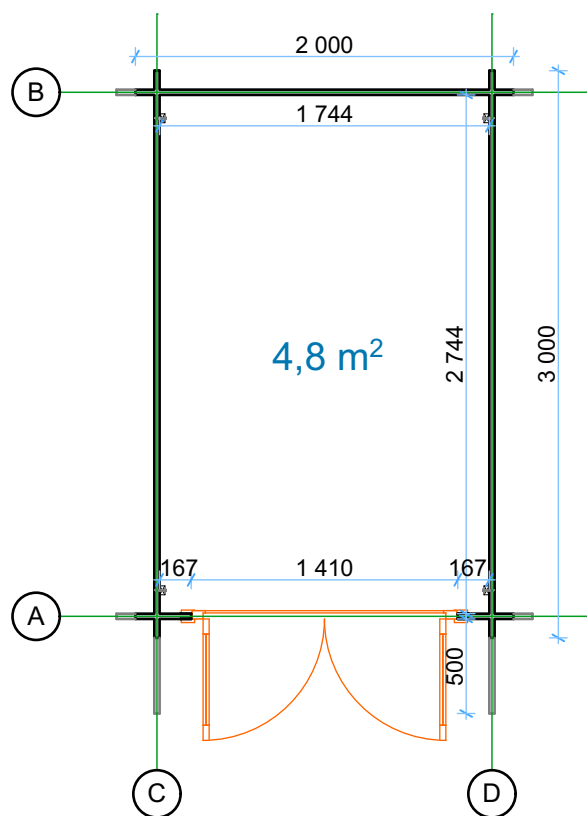
Pavimento 19mm 1:40



Thickness:	Project name:	Project ID:	Year:	Page:
28	Lazio	2x3	2021	3

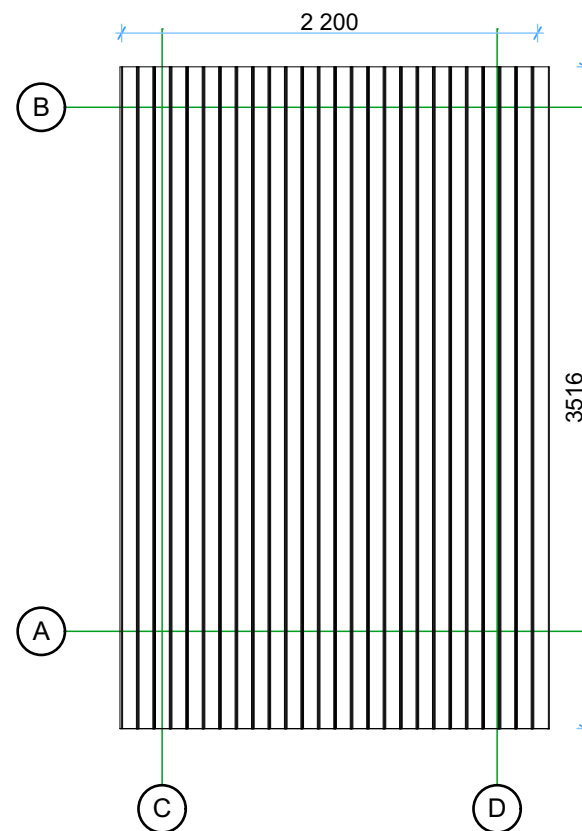
Pianta

1:40



Tetto 19mm

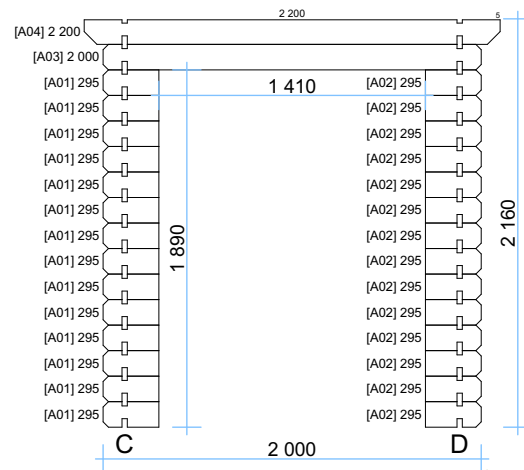
1:40



Thickness:	Project name:	Project ID:	Year:	Page:
28	Lazio	2x3	2021	4

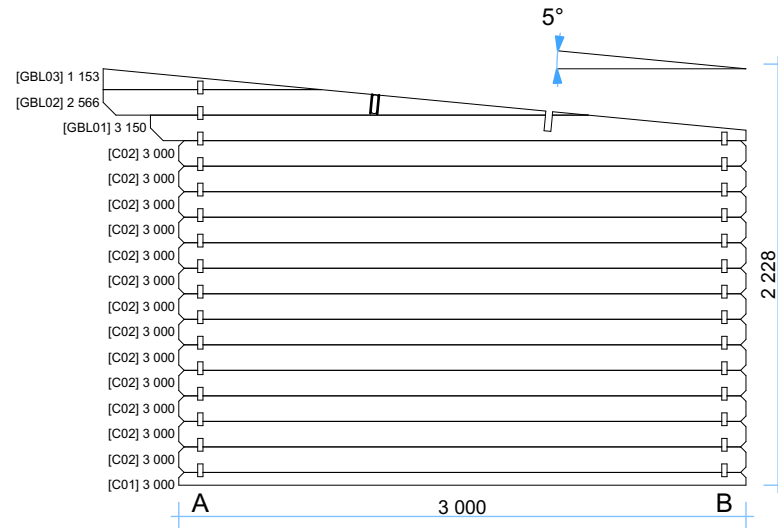
Pareti A

1:40



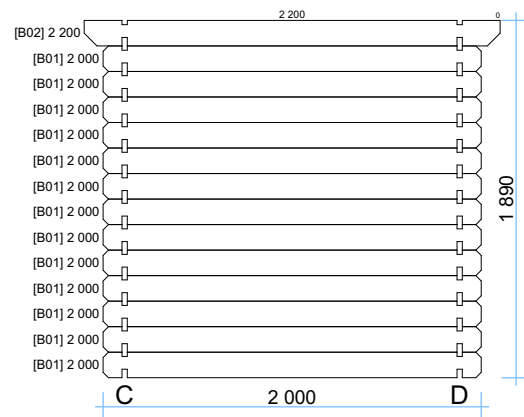
Parete C

1:40



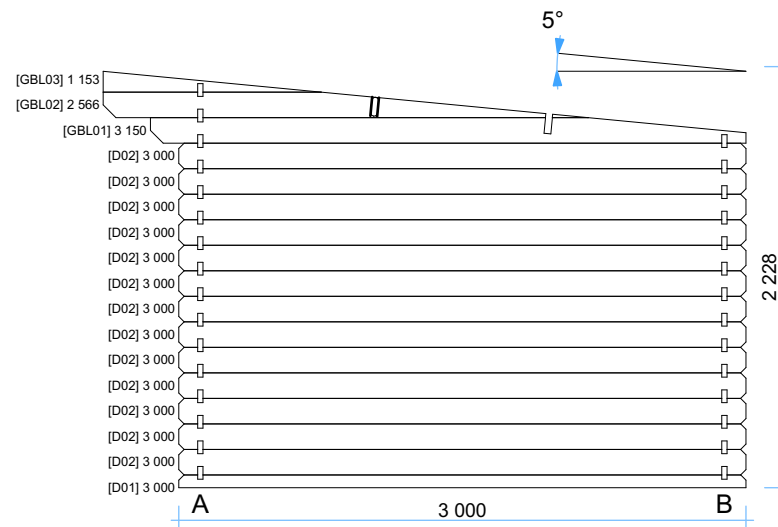
Parete B

1:40



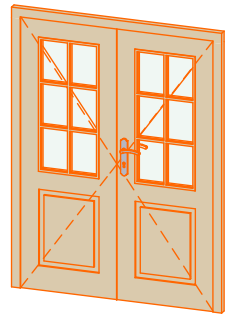
Parete D

1:40



Thickness:	Project name:	Project ID:	Year:	Page:
28	Lazio	2x3	2021	5

Windows and doors list

Barcode	Type-quality	Wall Thickness	W x H Size	Orientation	Glazing	Quantity	3D Axonometry
185140-2	Porta con vetro 4mm	28	1 400×1 850	R	50% glass, single glazed	1	

Thickness:	Project name:	Project ID:	Year:	Page:
28	Edith	2x3	2021	6