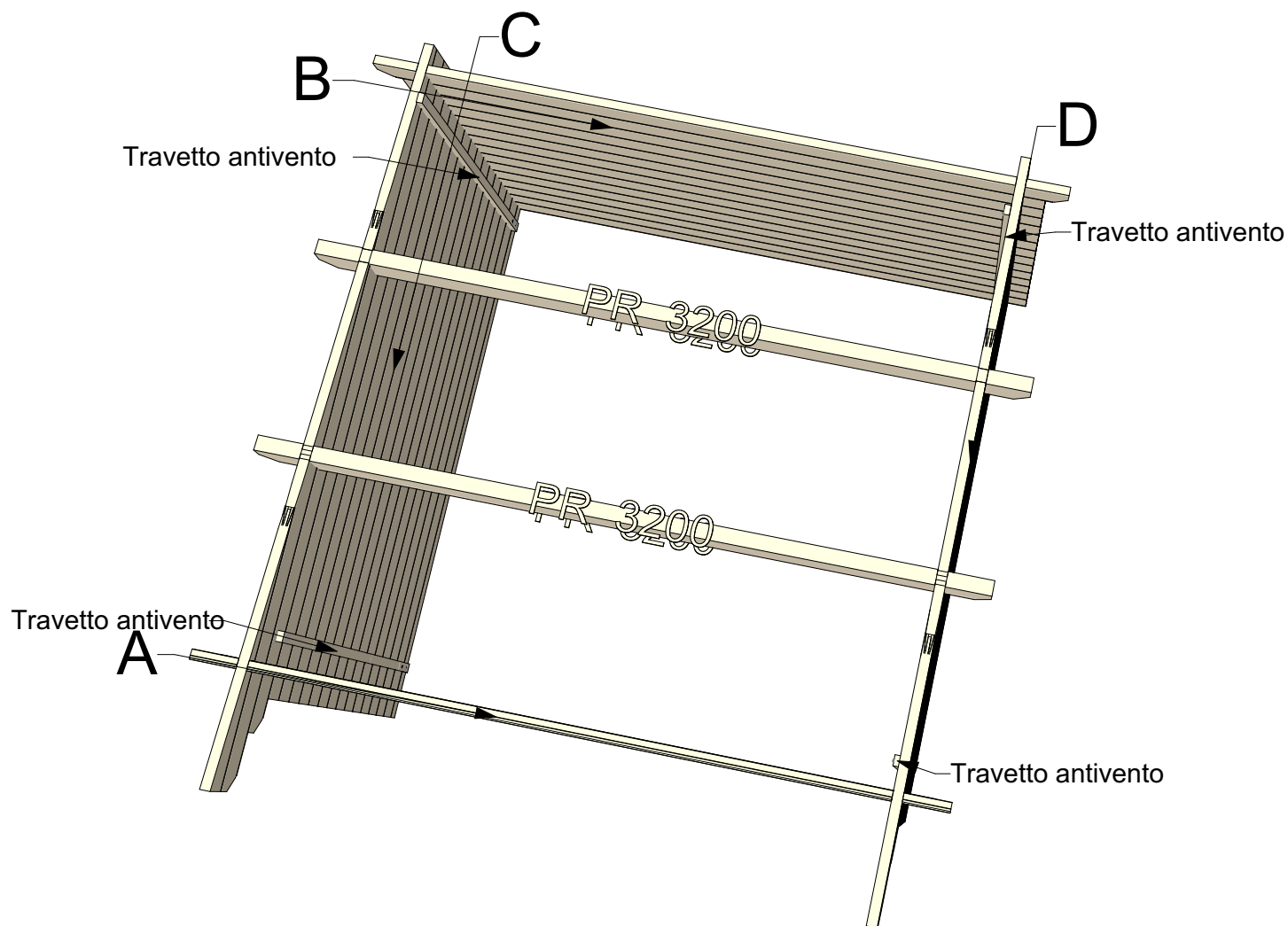




44 Lazio 3x3 v.1

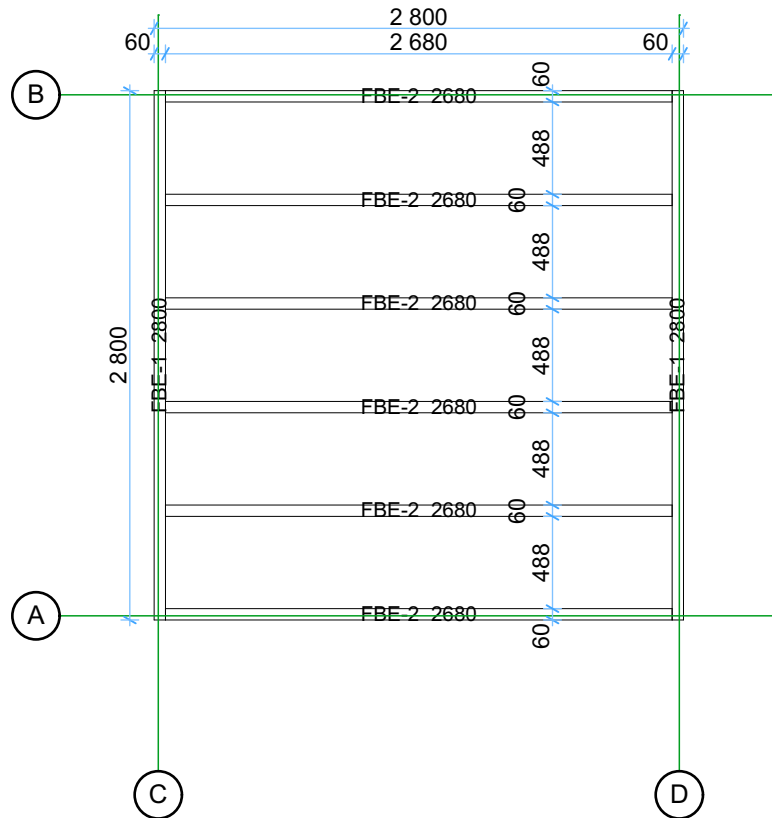
Posizione pareti



Thickness:	Project name:	Project ID:	Year:	Page:
44	Lazio 3x3	v.1	2023	2

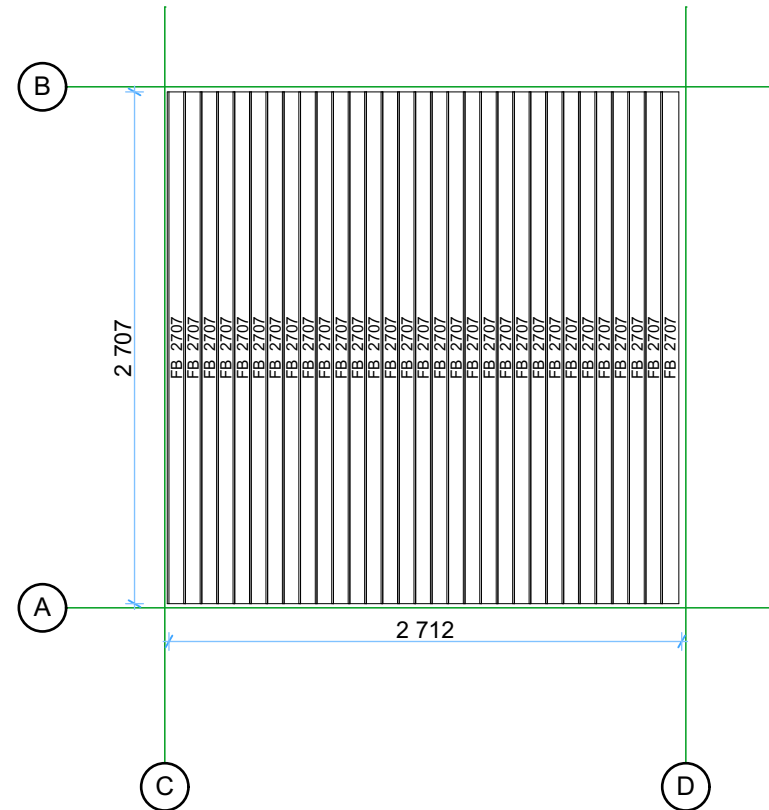
Travetti sotto pavimento 44x60

1:40



Pavimento 19mm

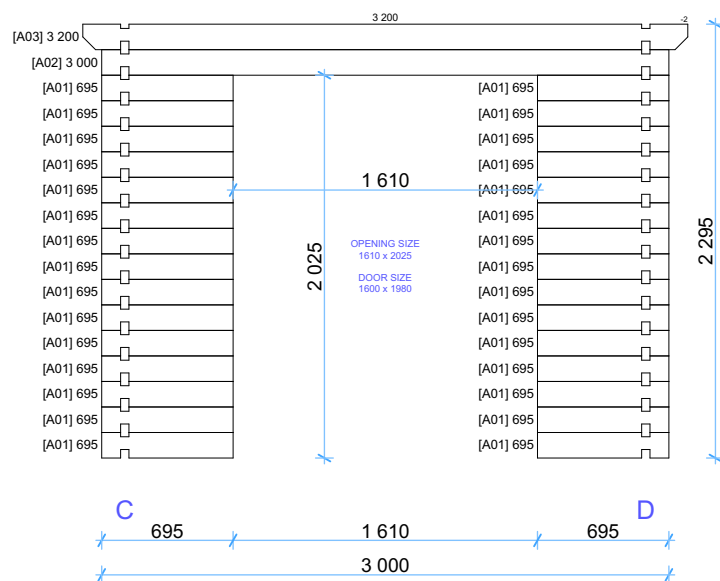
1:40



Thickness:	Project name:	Project ID:	Year:	Page:
44	Lazio 3x3	v.1	2023	3

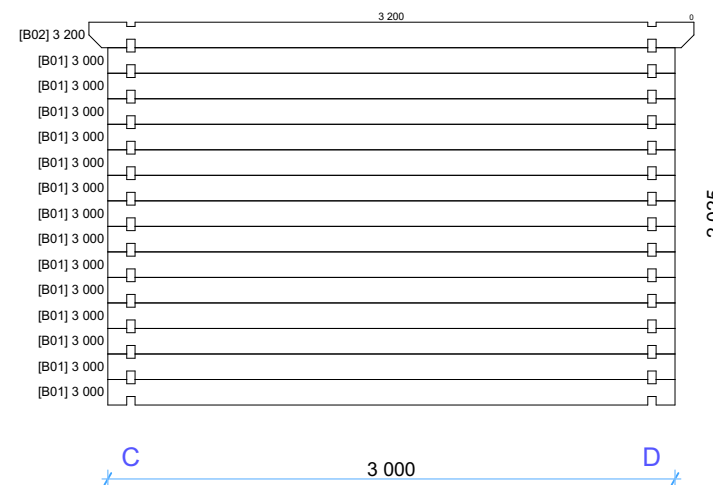
Parete A

1:40



Parete B

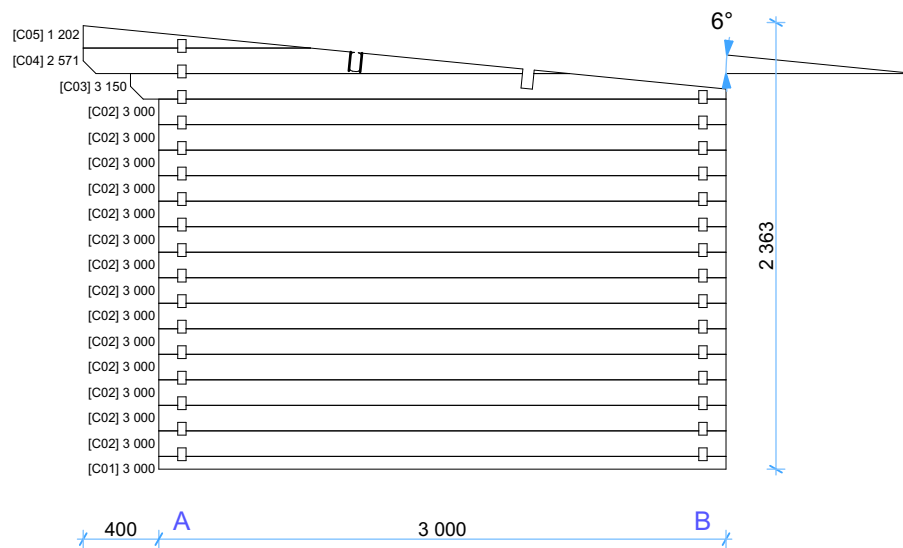
1:40



Thickness:	Project name:	Project ID:	Year:	Page:
44	Lazio 3x3	v.1	2023	5

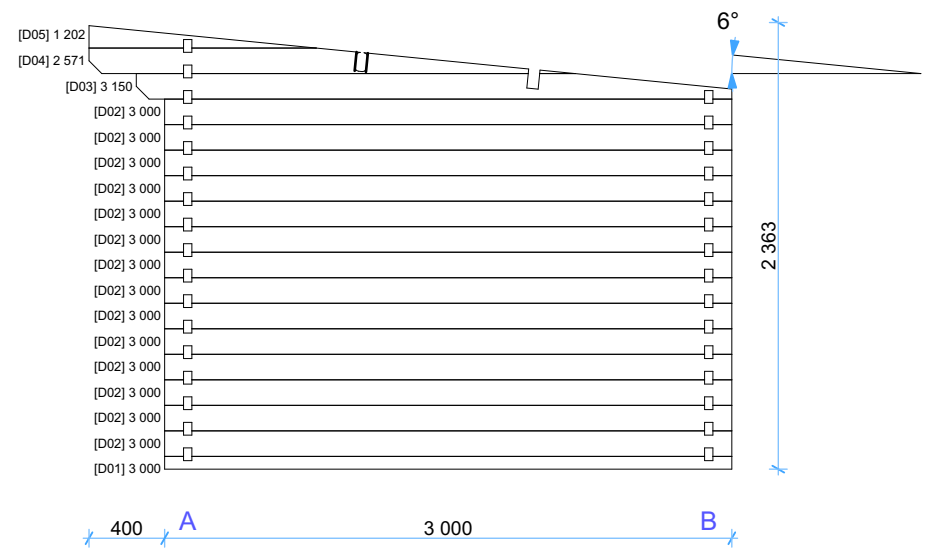
Parete C

1:40

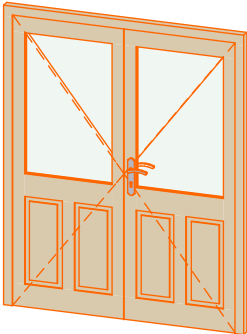


Parete D

1:40



Thickness:	Project name:	Project ID:	Year:	Page:
44	Lazio 3x3	v.1	2023	6

Windows and doors list							
Type-quality	Barcode	Wall Thickness	W x H Size	Orientation	Glazing	Quantity	3D Axonometry
Porta Premium	PP198160-2	44	1 600×1 980	R	50% Vetro doppio	1	

Thickness:	Project name:	Project ID:	Year:	Page:
44	Edith 3x3	v.1	2023	7