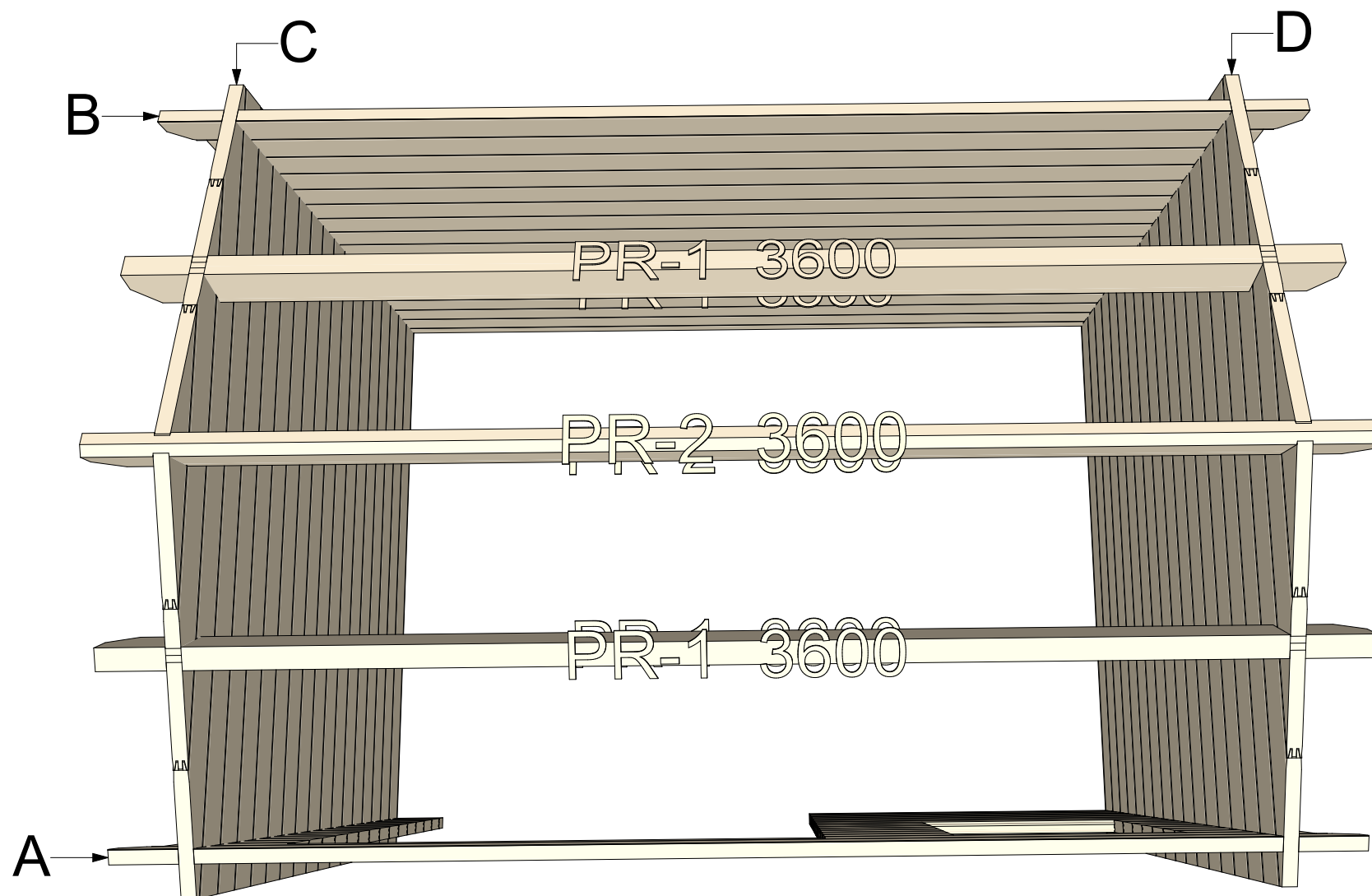




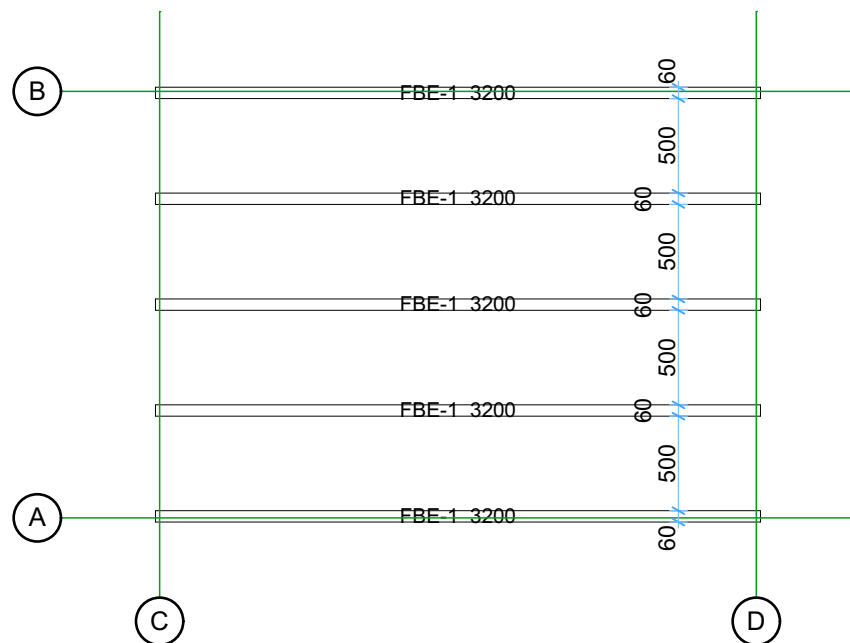
44 Erna (Lucca2,5x3,4 v.1)

Posizione pareti

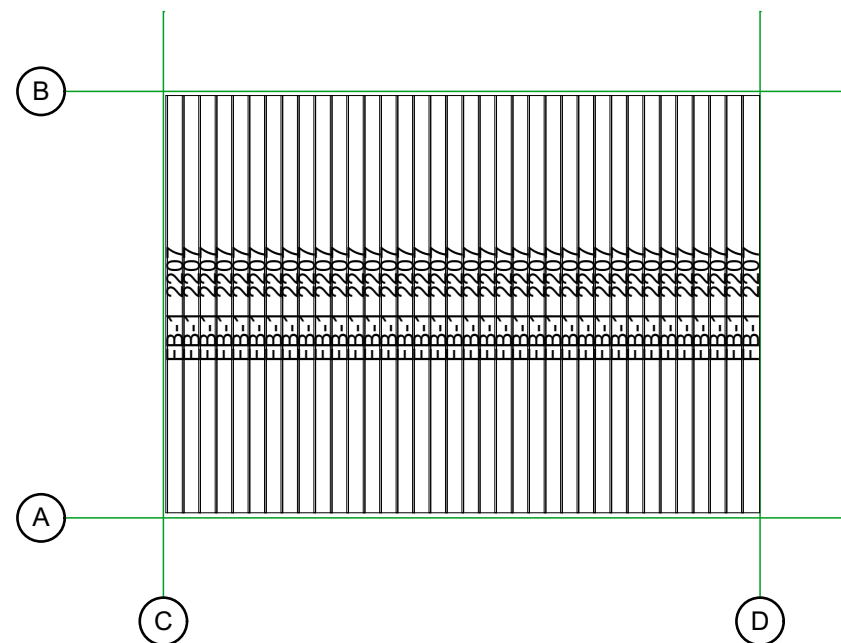


Thickness:	Project name:	Project ID:	Year:	Page:
44	Erna 2,5x3,4	v.1	2022	2

Travetti sotto struttura impegnati in autoclave 44x60. 1:40



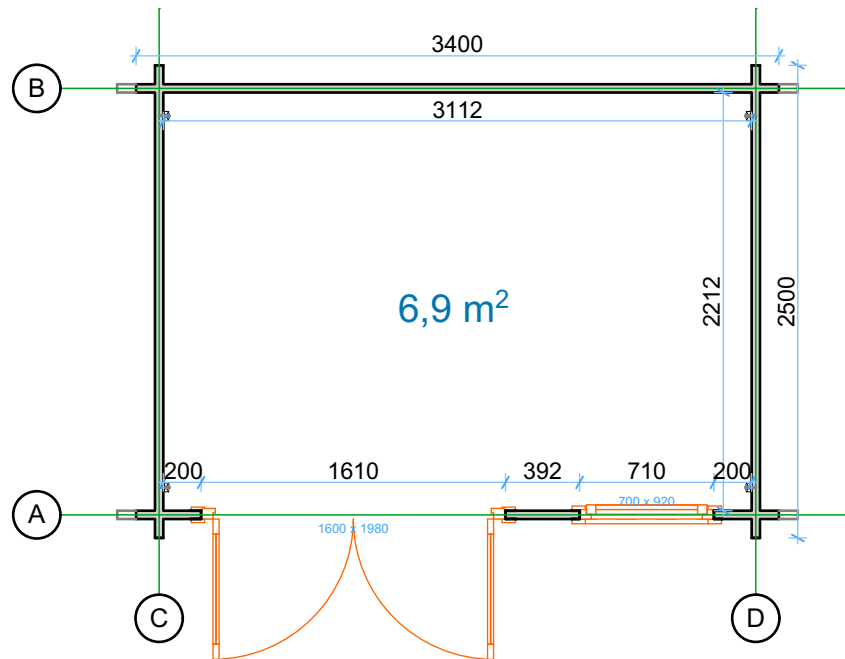
Pavimento 19mm 1:40



Thickness:	Project name:	Project ID:	Year:	Page:
44	Lucca 2,5x3,4	v.1	2022	3

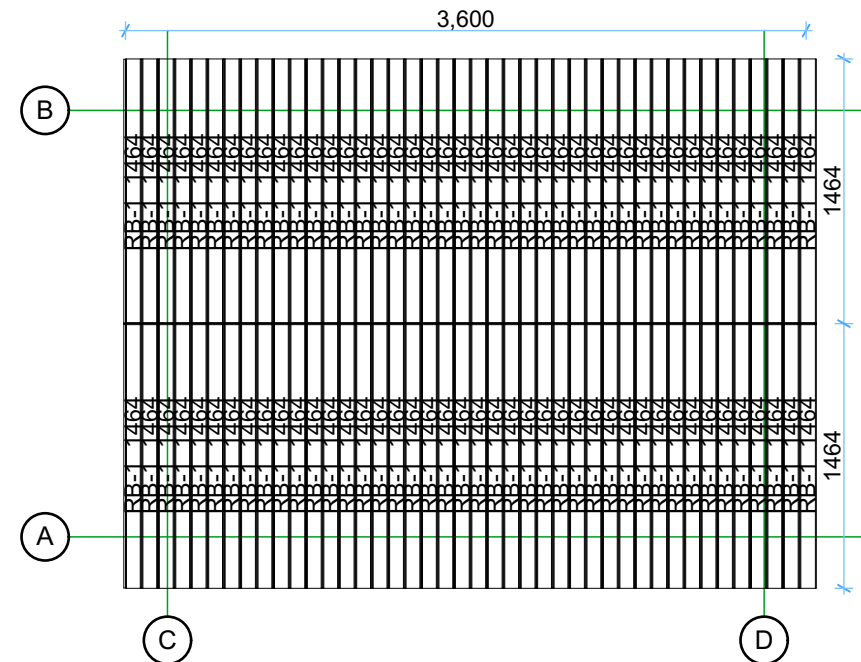
Pianta

1:40



Tavole tetto 19mm

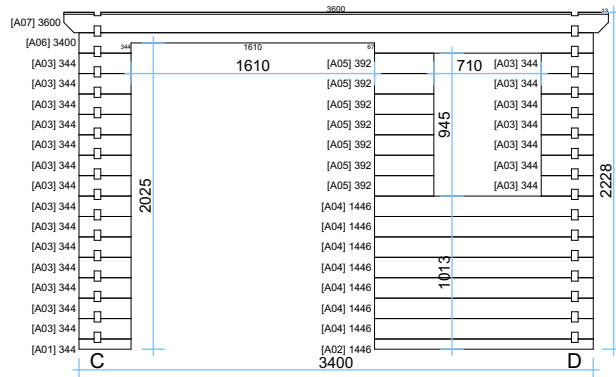
1:40



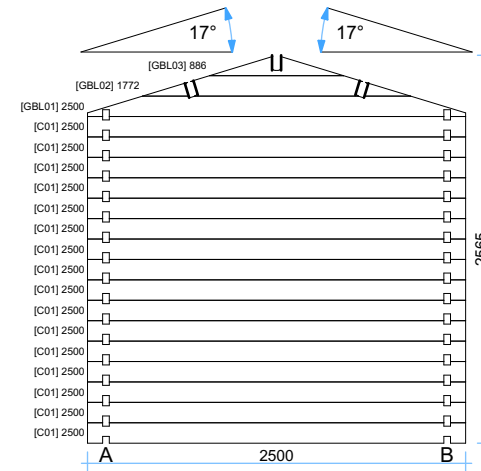
Thickness:	Project name:	Project ID:	Year:	Page:
44	Lucca 2,5x3,4	v.1	2022	4

Parete A

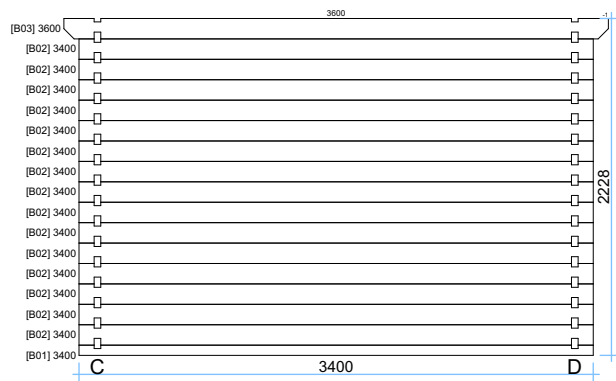
1:50


Parete C

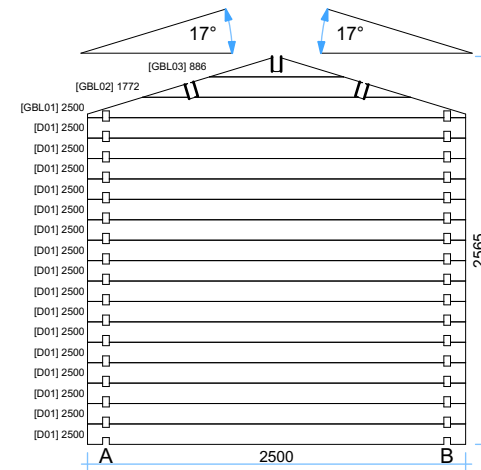
1:50


Parete B

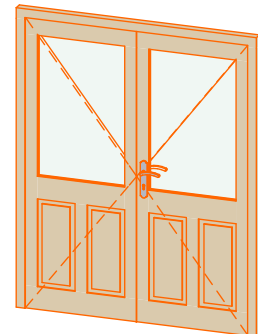
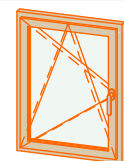
1:50


Parete D

1:50



Thickness:	Project name:	Project ID:	Year:	Page:
44	Lucca 2,5x3,4	v.1	2022	5

Windows and doors list							
Barcode	Type-quality	Wall Thickness	W x H Size	Orientation	Glazing	Quantity	3D Axonometry
PP198160-2	Door - Premium	44	1600×1980	R	50% glass, double glazed	1	
PP9270	Window - Premium	44	700×920	L	Double glazed	1	

Thickness:	Project name:	Project ID:	Year:	Page:
44	Lucca 2,5x3,4	v.1	2022	6