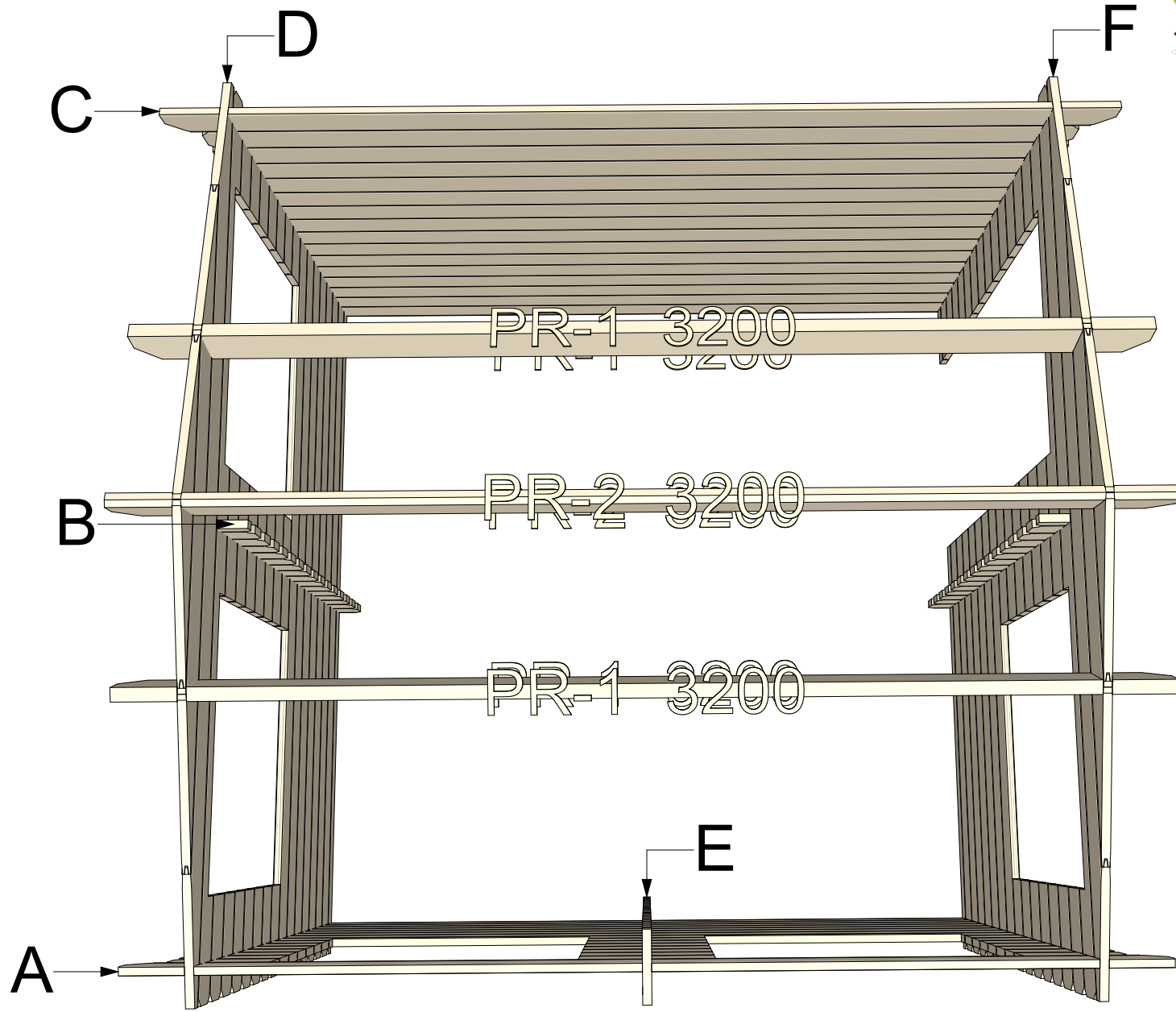




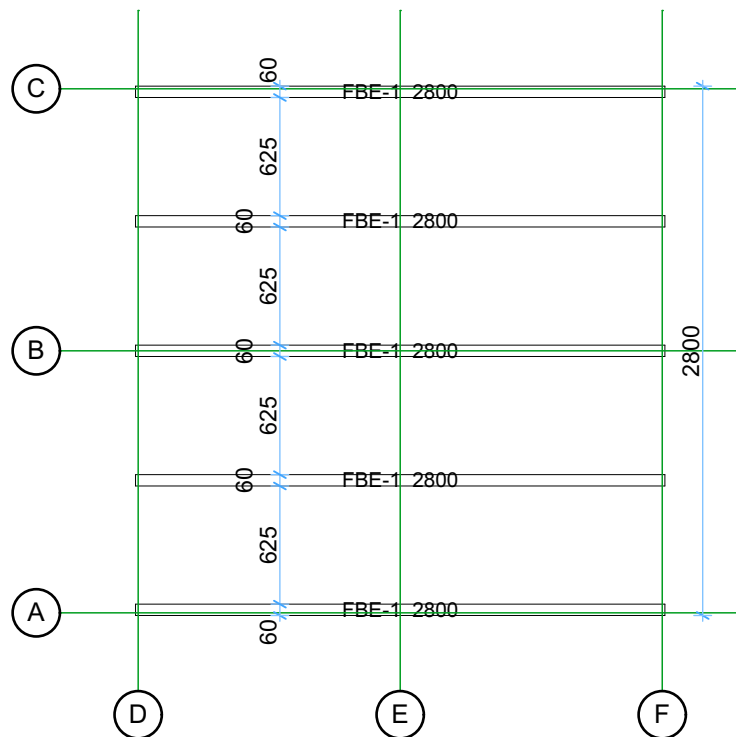
28 Chiosco 3x3



Thickness:	Project name:	Project ID:	Year:	Page:
28	Kiosk	3x3	2022	2

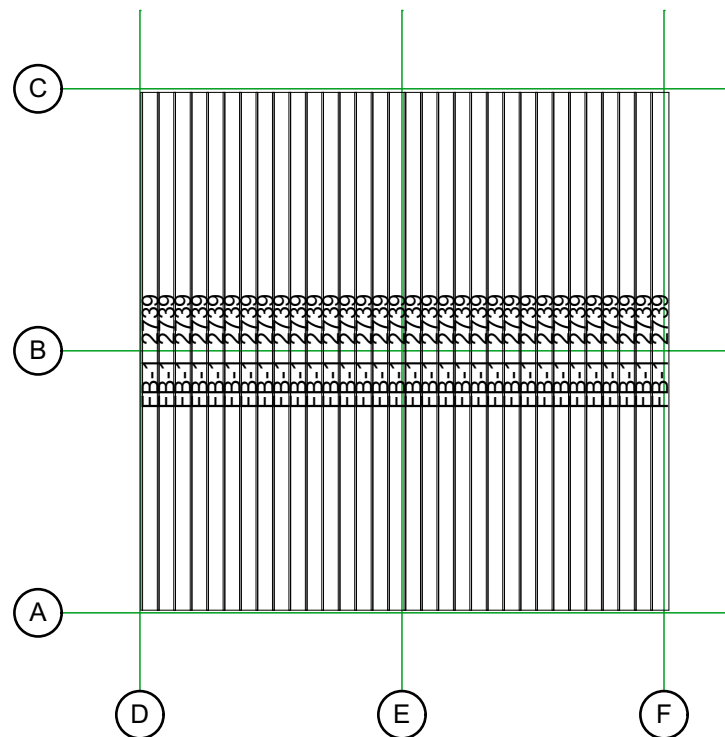
Travetti sotto pavimento 28x60

1:40



Pavimento 19mm

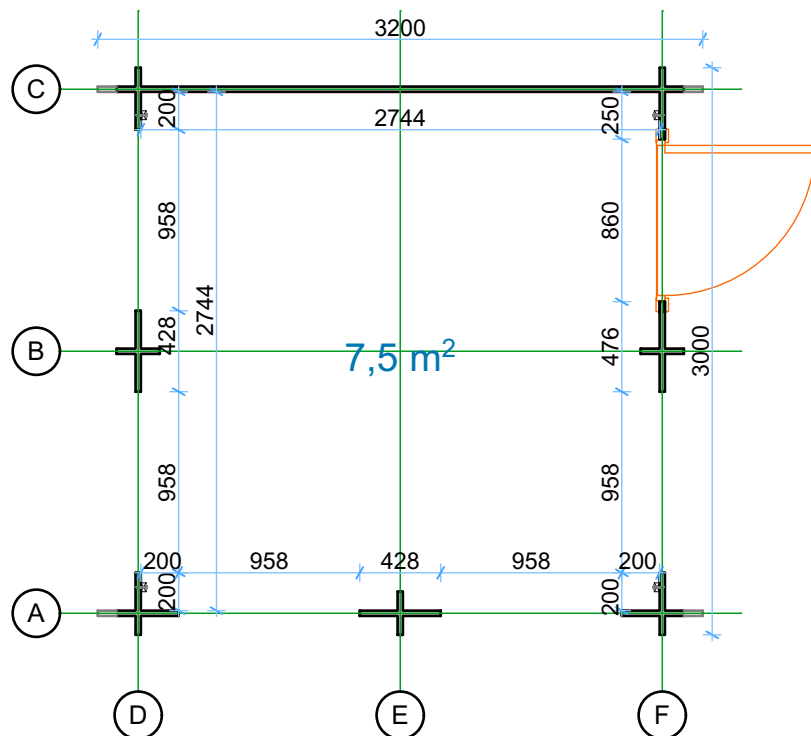
1:40



Thickness:	Project name:	Project ID:	Year:	Page:
28	Kiosk	3x3	2022	3

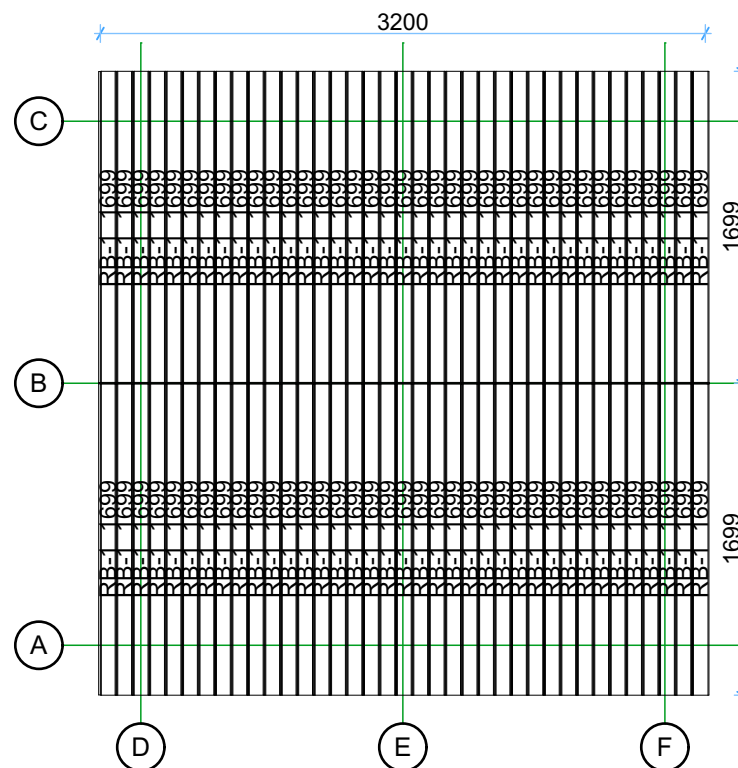
Planimetria

1:40



Tavole tetto 19mm

1:40



Thickness:	Project name:	Project ID:	Year:	Page:
28	Kiosk	3x3	2022	4

Parete A

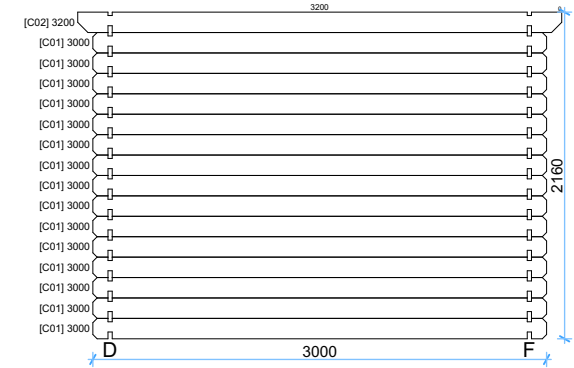
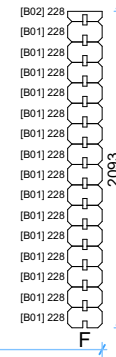
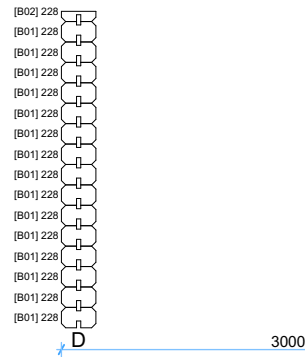
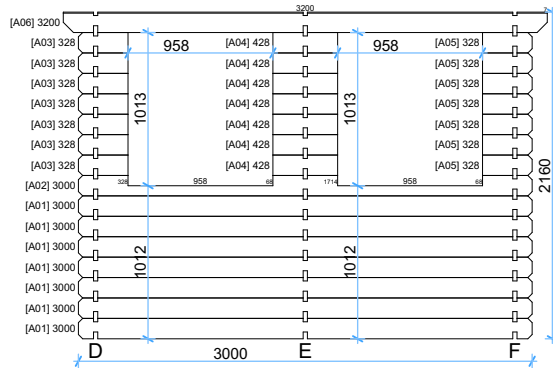
1:50

Parete B

1:50

Parete C

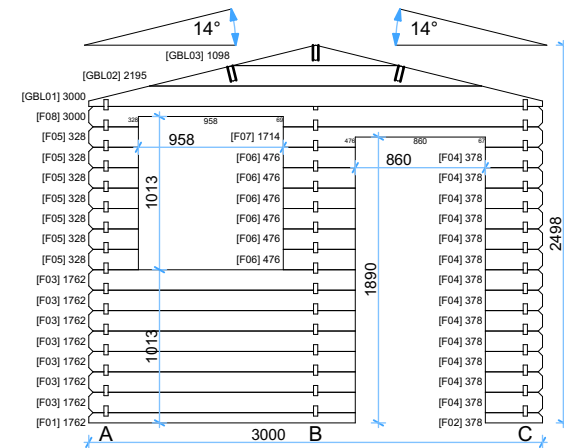
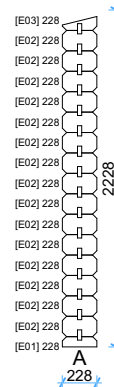
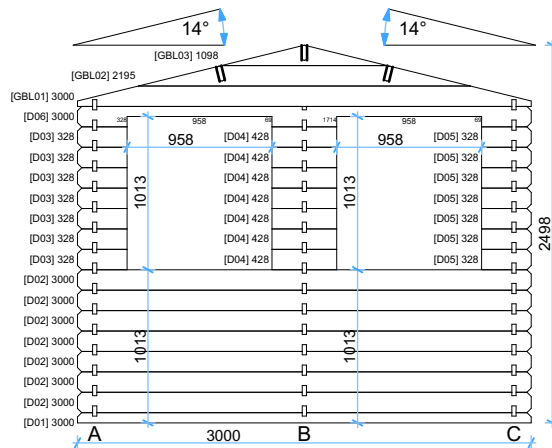
1:50


Parete D

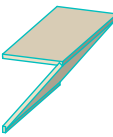
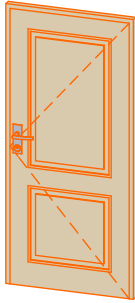
1:50

Parete E
Parete F

1:50



Thickness:	Project name:	Project ID:	Year:	Page:
28	Kiosk	3x3	2022	5

Windows and doors list							
Barcode	Type-quality	Wall Thickness	W x H Size	Orientation	Glazing	Quantity	3D Axonometry
<Undefined>	Ribalte	---	958×1013	---	Wooden	5	
18585-1	Porta -	28	850×1850	R	Full wood	1	

Thickness:	Project name:	Project ID:	Year:	Page:
28	Kiosk	3x3	2022	6