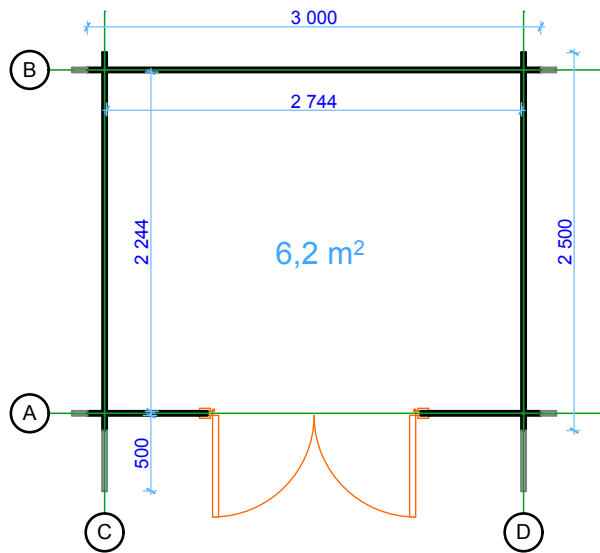




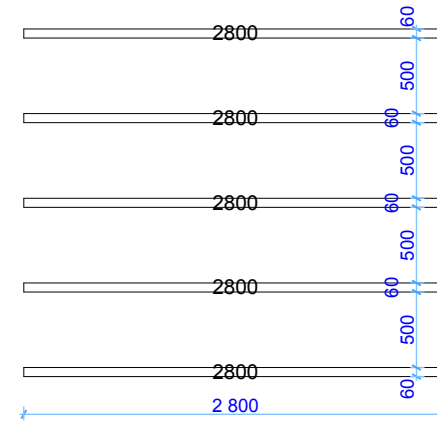
# 28mm Lazio 3x2,5

Architect name:	Thickness:	Type:	Project name:	Project No:	Year:	Page:
Oleg	28mm	Standard	Lazio 3x2,5	-	2017	1 of 4

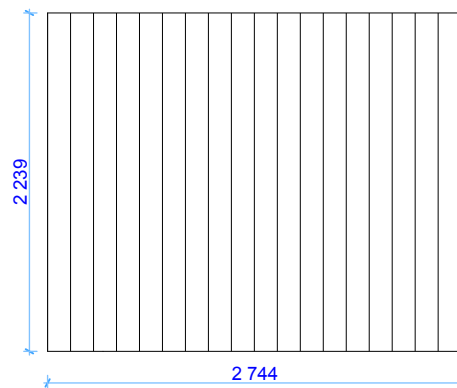
Floor plan 1:50



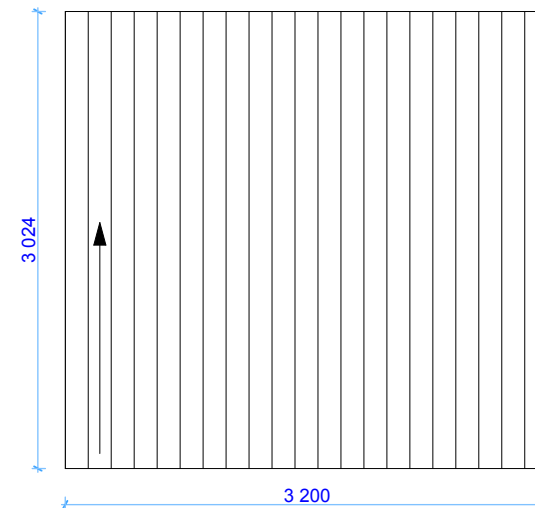
Travetti sottopavimento  
1:50



Perline Pavimento

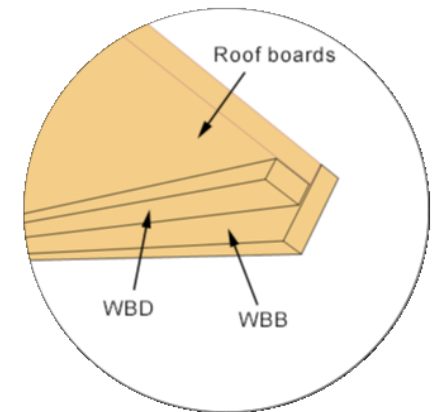
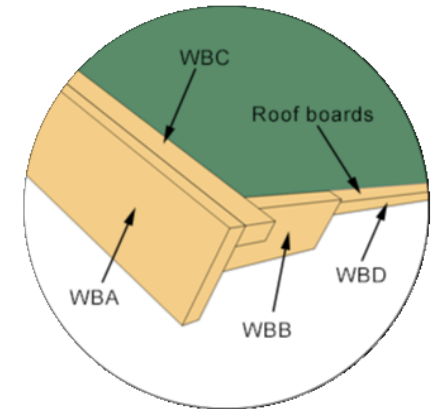
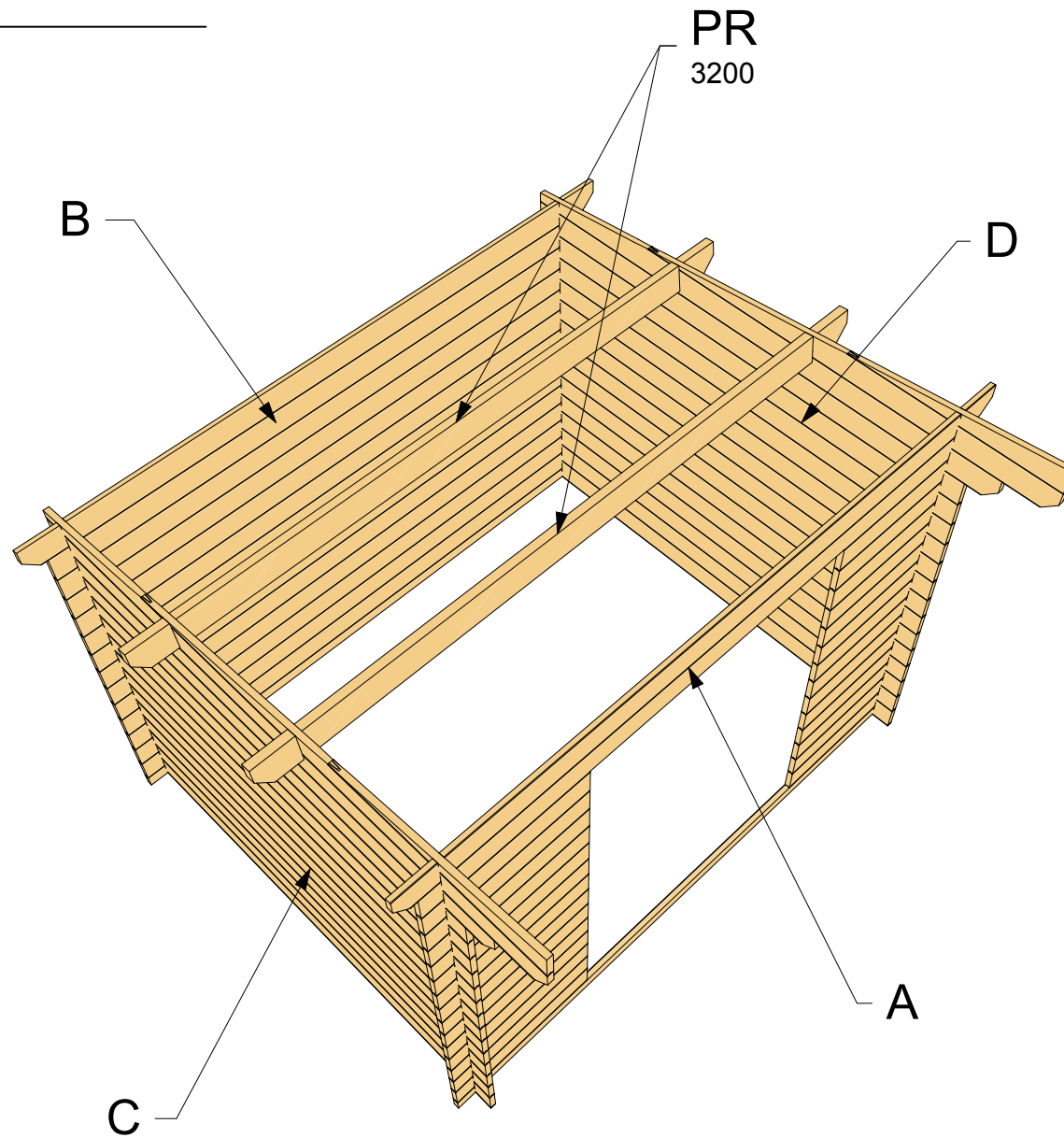


Perline tetto



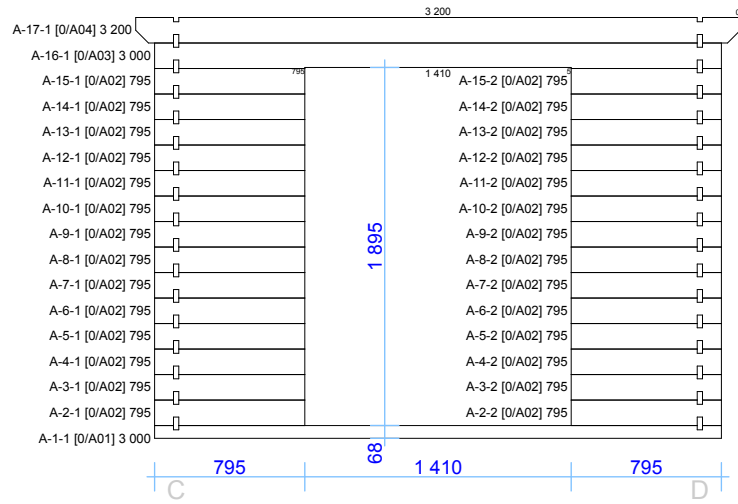
Architect name:	Thickness:	Type:	Project name:	Project No:	Year:	Page:
Oleg	28mm	Standard	<b>Lazio 3x2,5</b>	-	2017	2 of 4

Pareti \_\_\_\_\_

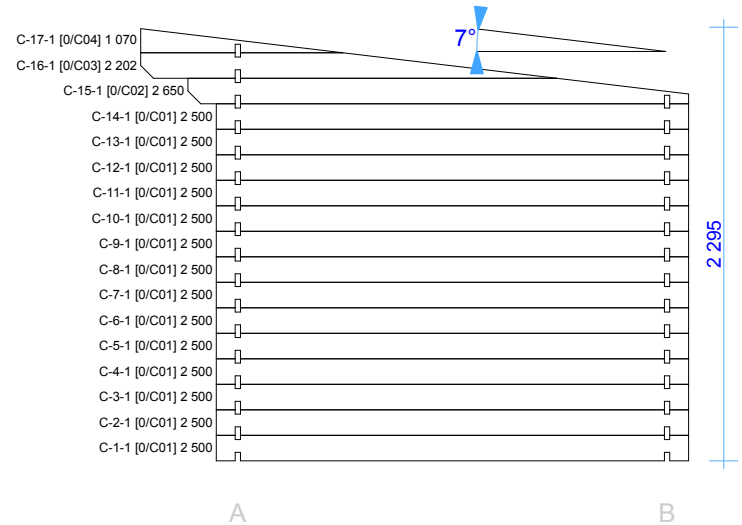


Architect name:	Thickness:	Type:	Project name:	Project No:	Year:	Page:
Oleg	28mm	Standard	Lazio 3x2,5	-	2017	3 of 4

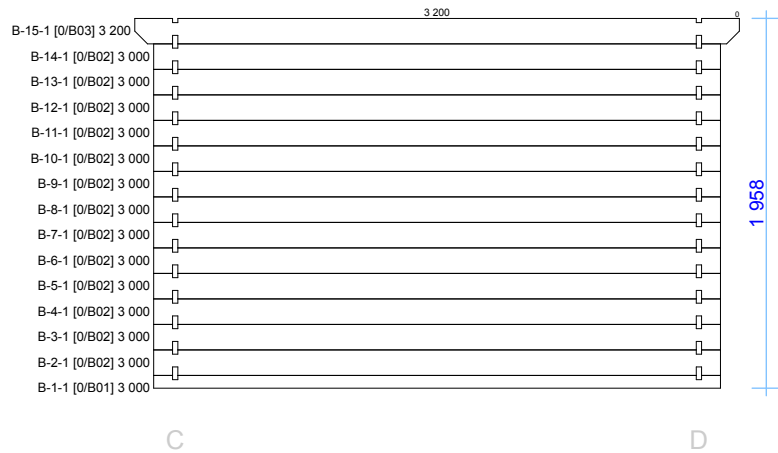
### Parete A



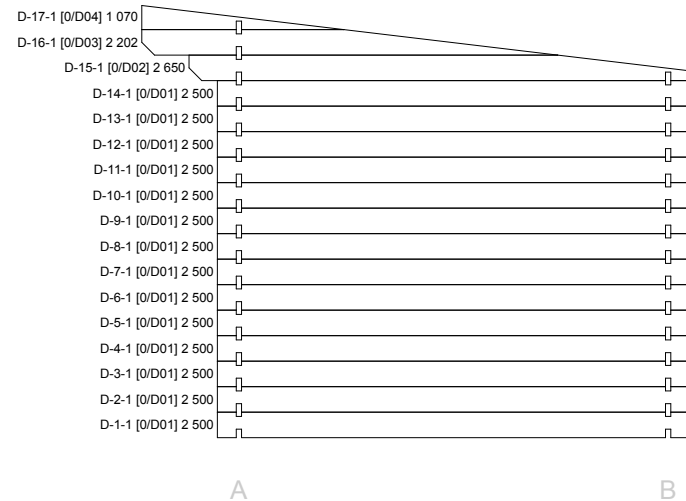
### Parete C



### Parete B



### Parete D



Architect name:	Thickness:	Type:	Project name:	Project No:	Year:	Page:
Oleg	28mm	Standard	Lazio 3x2,5	-	2017	4 of 4