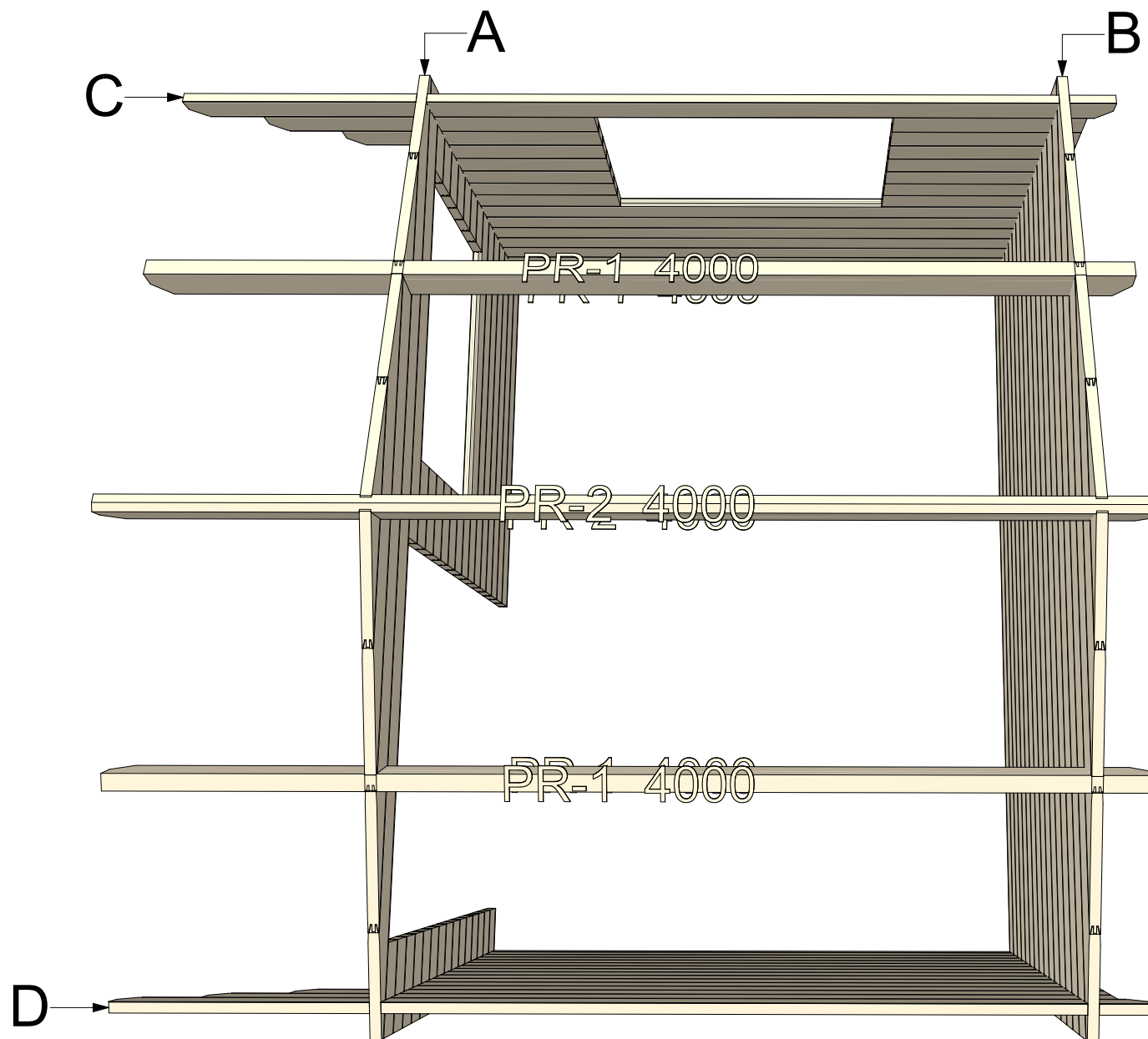




44 Toscana 4x3 v.1

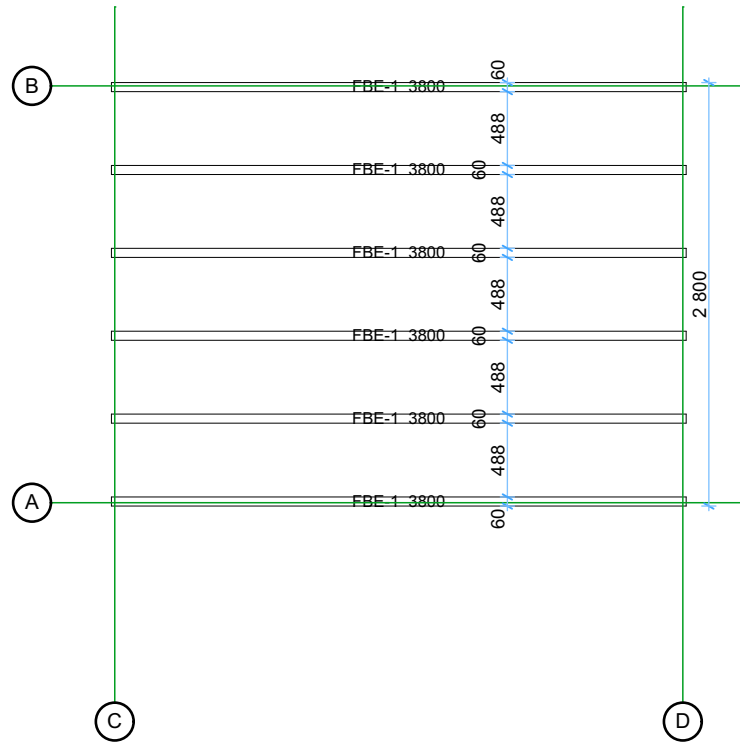
Posizione pareti e travi del tetto



Thickness:	Project name:	Project ID:	Year:	Page:
44	Toscana 4x3	v.1	2022	2

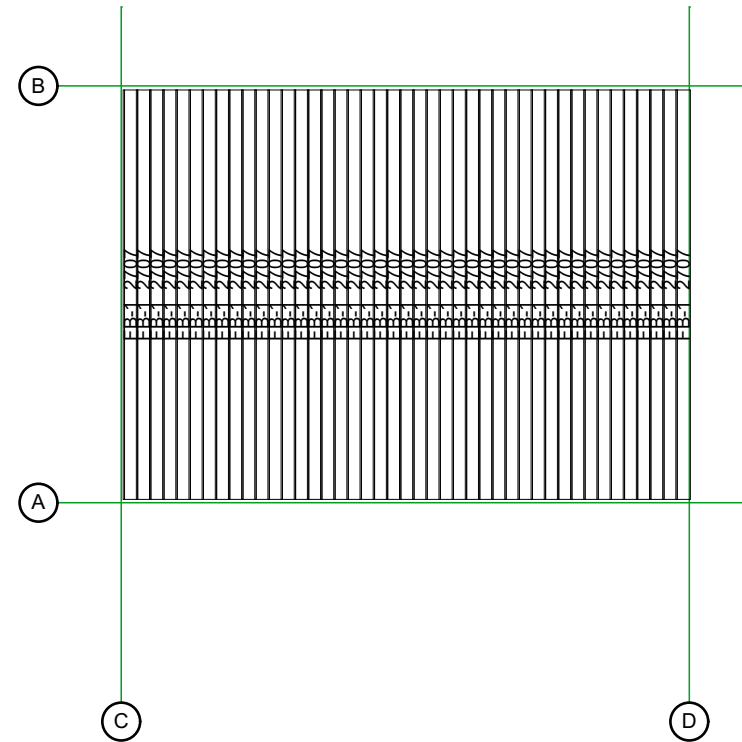
Travetti sotto pavimento 44x60

1:50



Pavimento

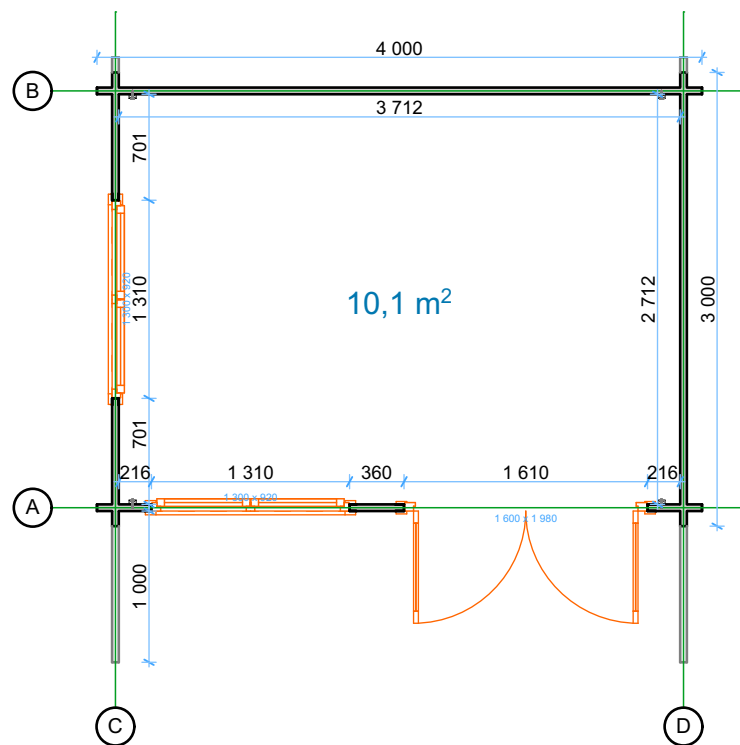
1:50



Thickness:	Project name:	Project ID:	Year:	Page:
44	Toscana 4x3	v.1	2022	3

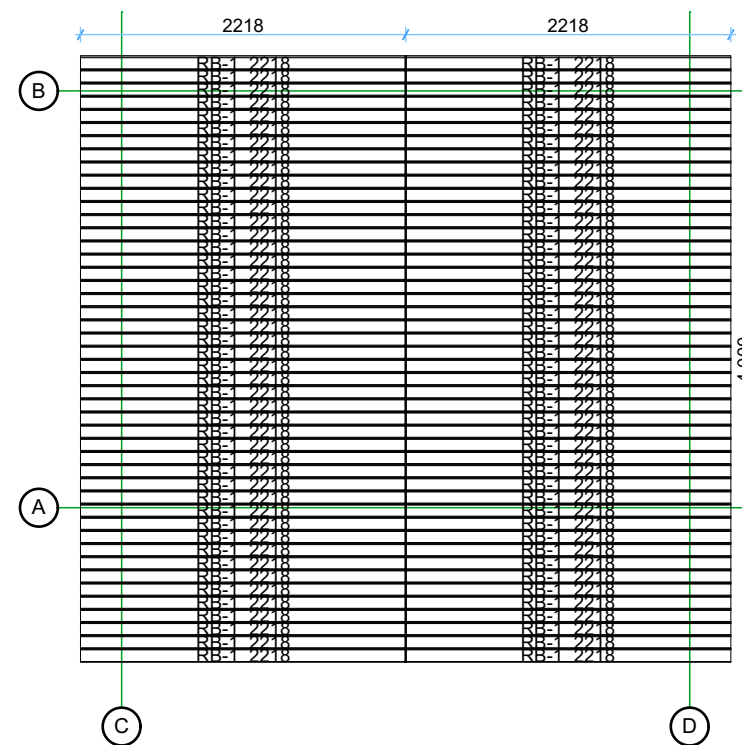
Planimetria

1:50



Tetto

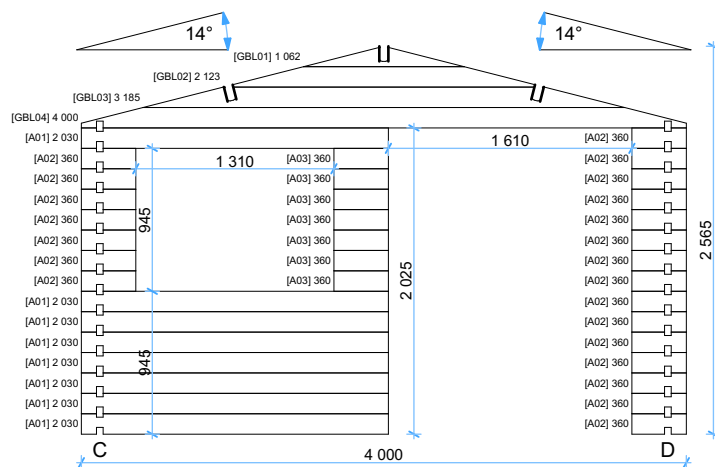
1:50



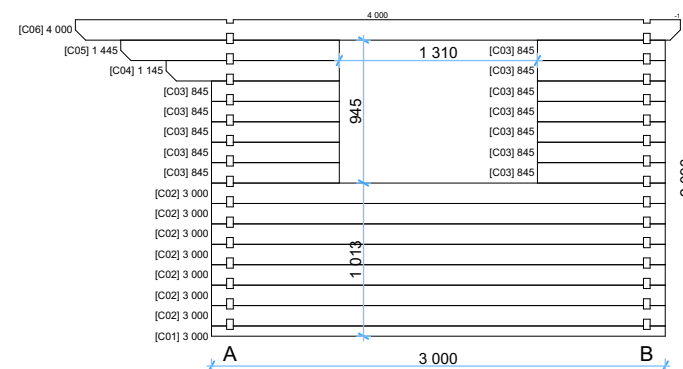
Thickness:	Project name:	Project ID:	Year:	Page:
44	Toscana 4x3	v.1	2022	4

Parete A

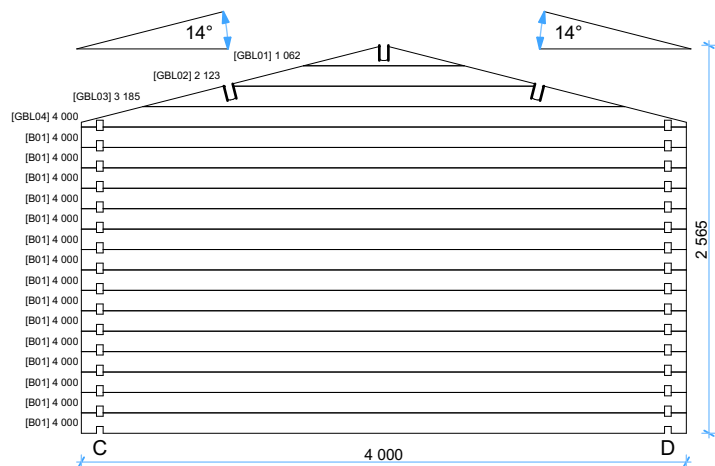
1:50


Parete C

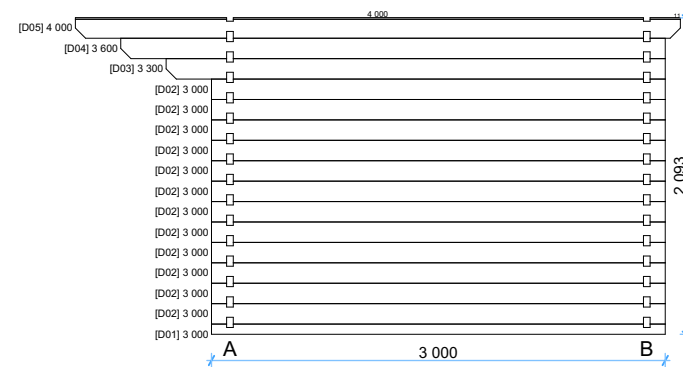
1:50


Parete B

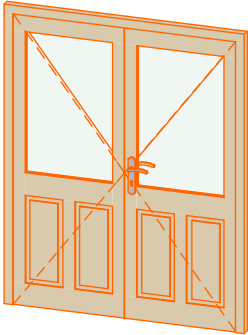
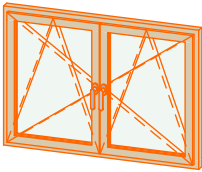
1:50


Parete D

1:50



Thickness:	Project name:	Project ID:	Year:	Page:
44	Toscana 4x3	v.1	2022	5

Windows and doors list							
Type-quality	Barcode	Wall Thickness	W x H Size	Orientation	Glazing	Quantity	3D Axonometry
Door - Premium	PP198160-2	44	1 600×1 980	R	50% glass, double glazed	1	
Window - Premium	PP92130	44	1 300×920		Double glazed	2	

Thickness:	Project name:	Project ID:	Year:	Page:
44	Toscana 4x3	v.1	2022	6