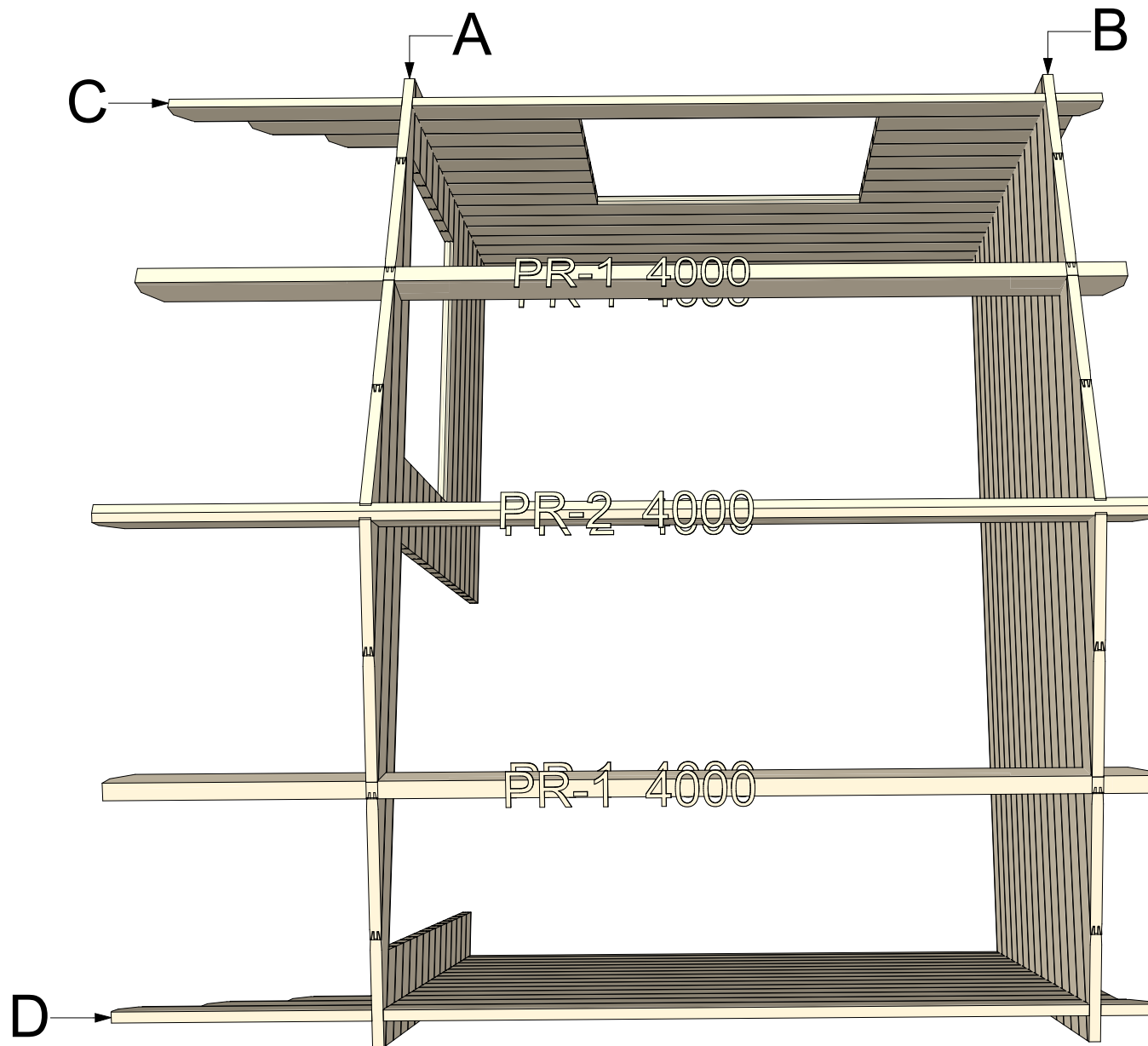




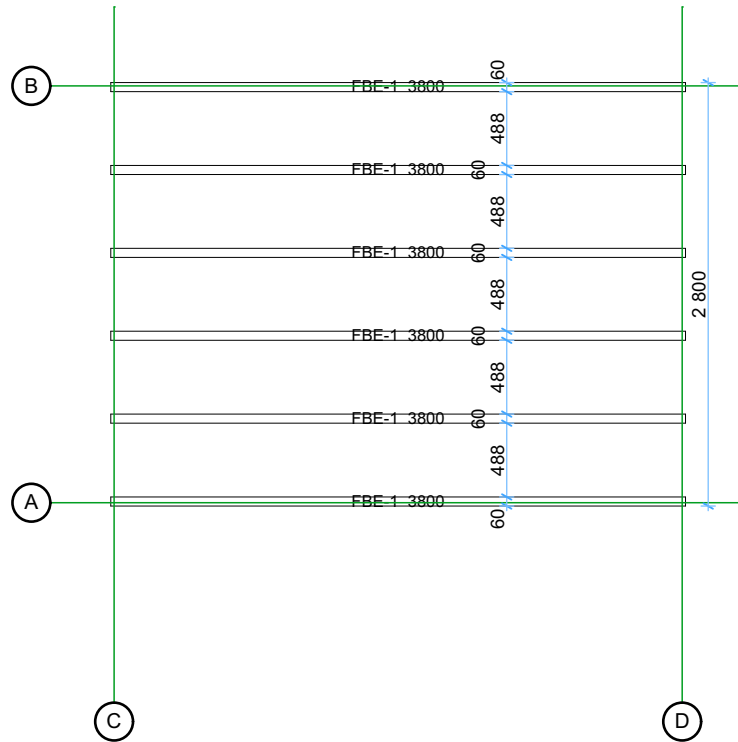
44 Linus (Toscana)4x3



Thickness:	Project name:	Project ID:	Year:	Page:
44	Linus 4x3	v.2	2022	2

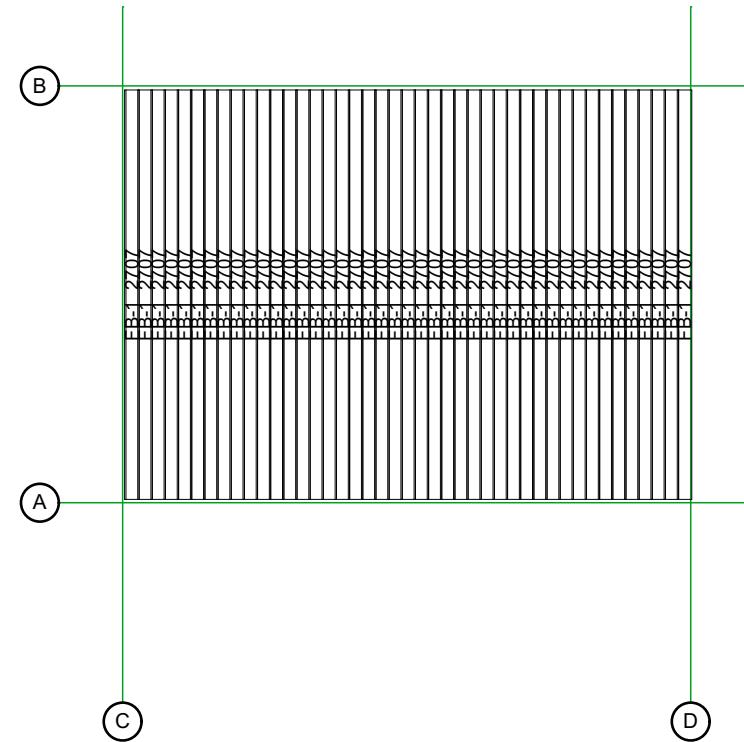
travetti sotto pavimento

1:50



Pavimento

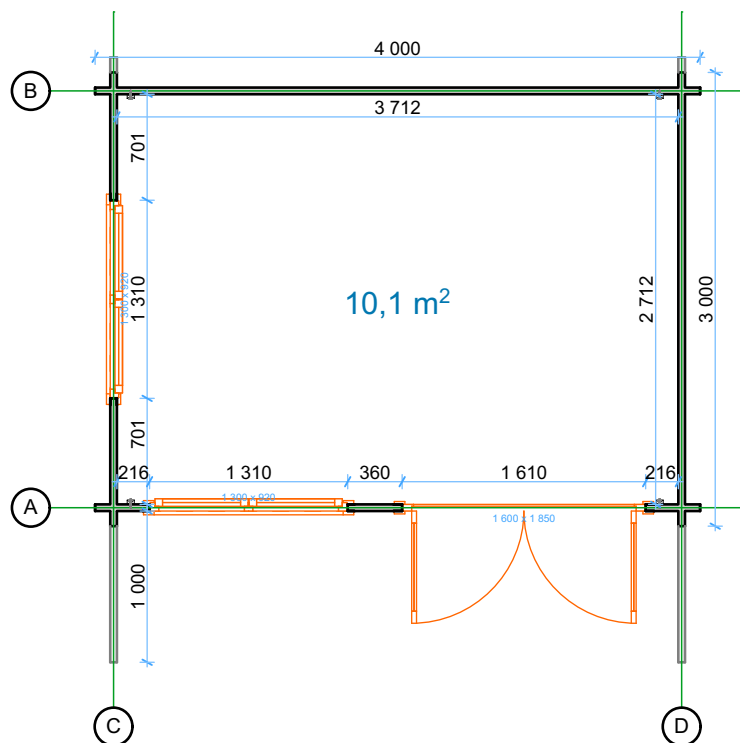
1:50



Thickness:	Project name:	Project ID:	Year:	Page:
44	Linus 4x3	v.2	2022	3

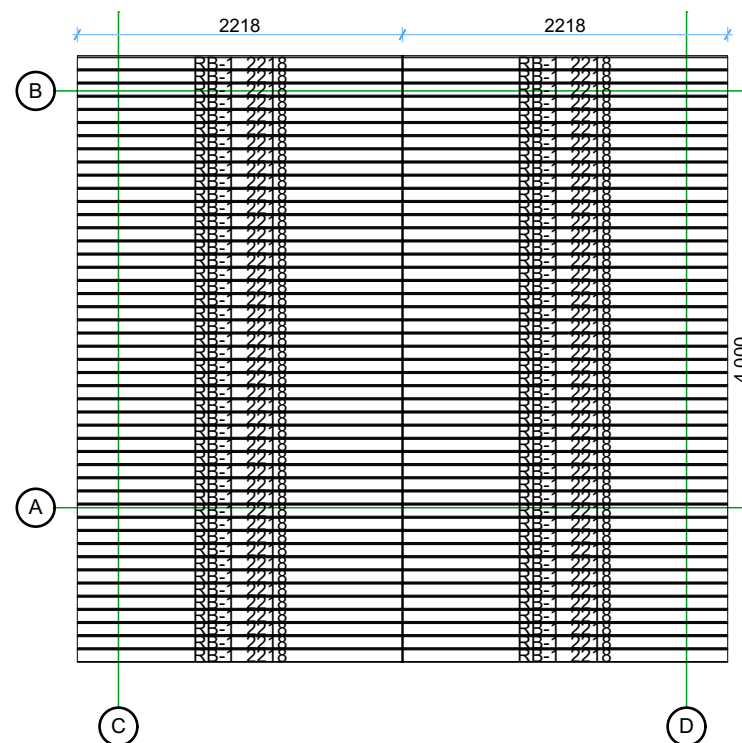
Pianta

1:50



Tavole tetto

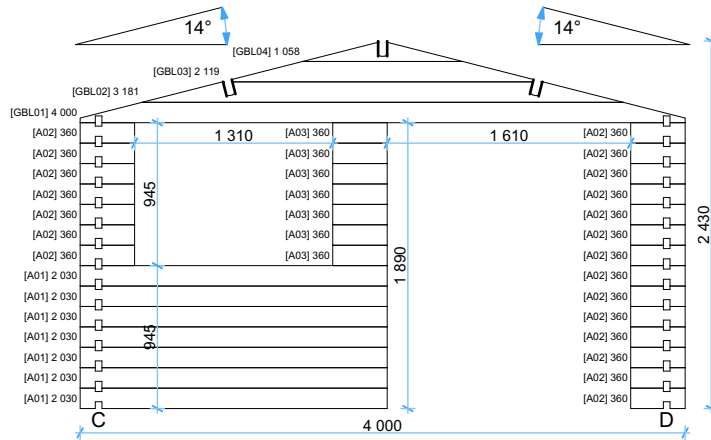
1:50



Thickness:	Project name:	Project ID:	Year:	Page:
44	Linus 4x3	v.2	2022	4

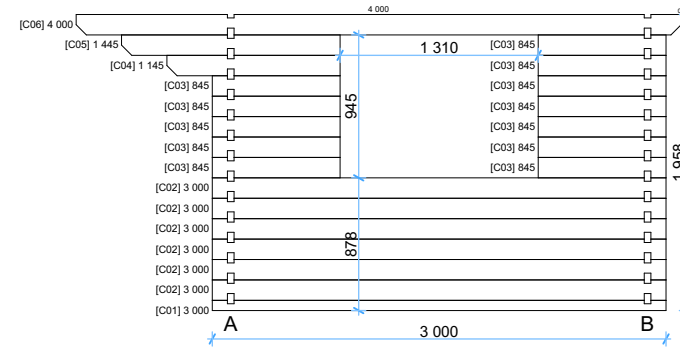
Parete A

1:50



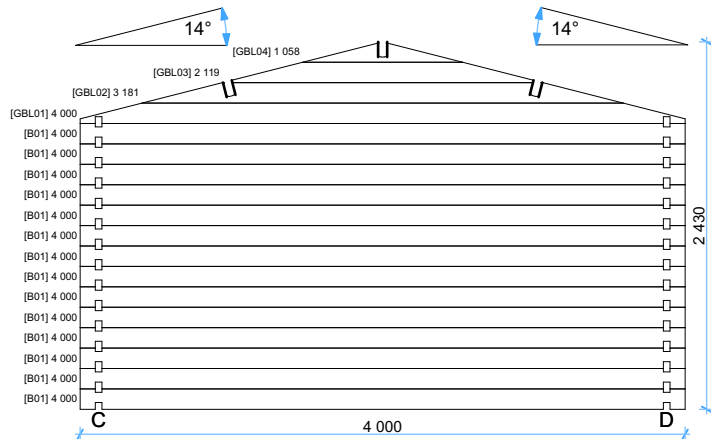
Parete C

1:50



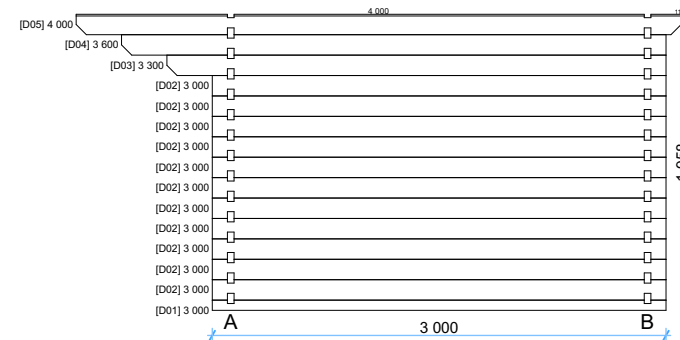
Parete B

1:50

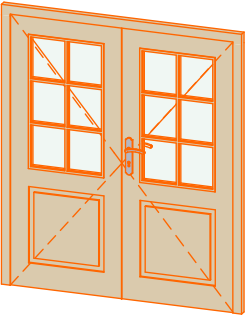
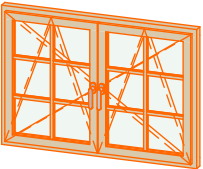


Parete D

1:50



Thickness:	Project name:	Project ID:	Year:	Page:
44	Linus 4x3	v.2	2022	5

Windows and doors list							
Type-quality	Barcode	Wall Thickness	W x H Size	Orientation	Glazing	Quantity	3D Axonometry
Porta Economy	EP185160-2	44	1 600×1 850	R	50% glass, double glazed	1	
Finestre - Economy	EP92130	44	1 300×920		Double glazed	2	

Thickness:	Project name:	Project ID:	Year:	Page:
44	Linus 4x3	v.2	2022	6