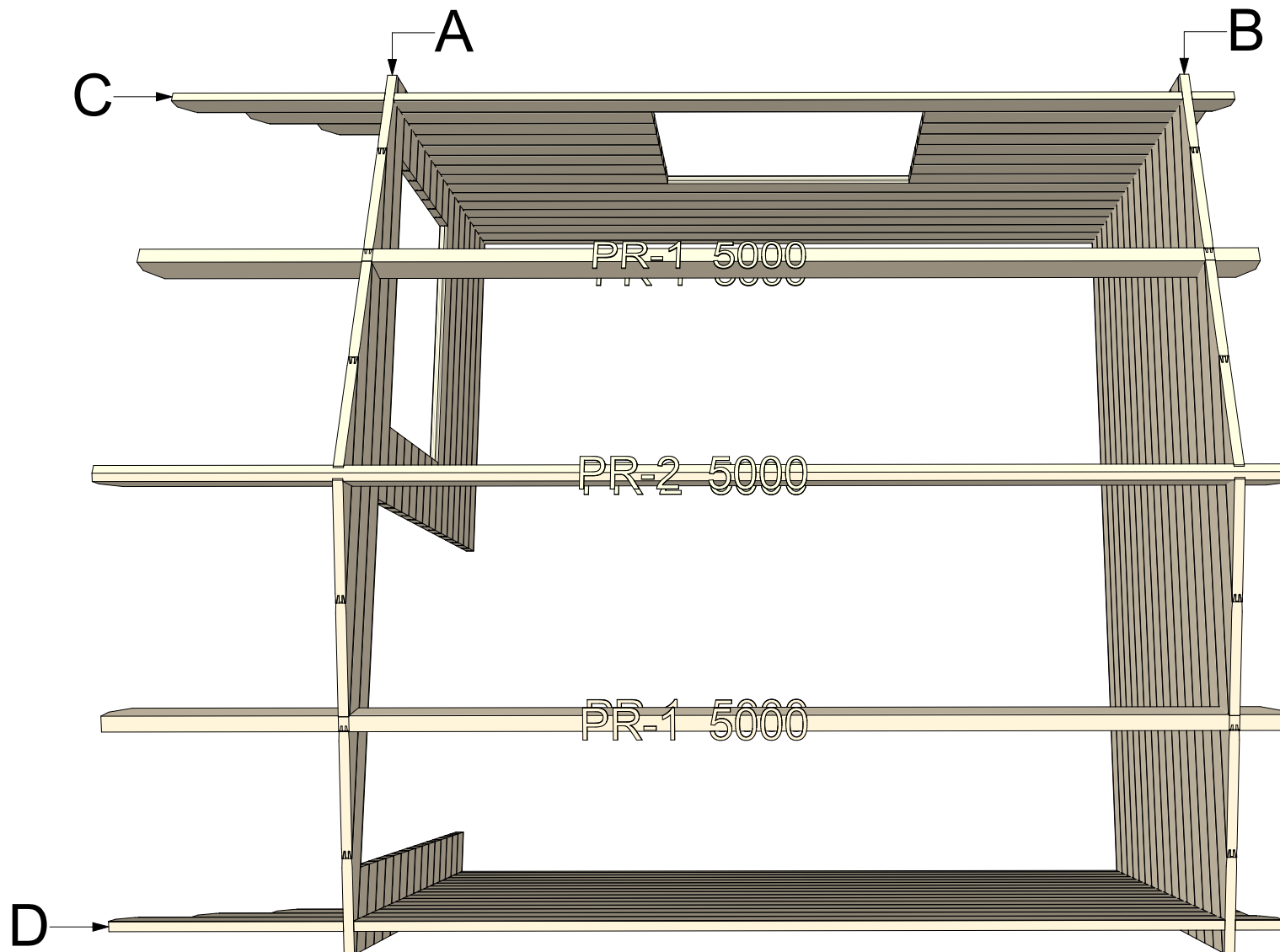




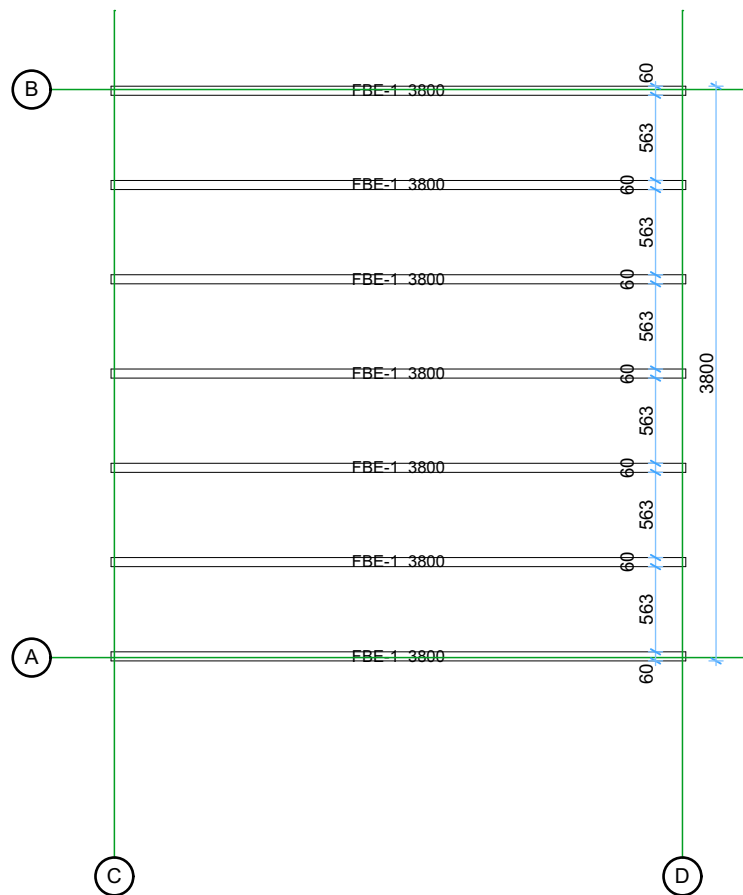
44 Toscana 4x4 v.1

Posizione pareti e travi del tetto

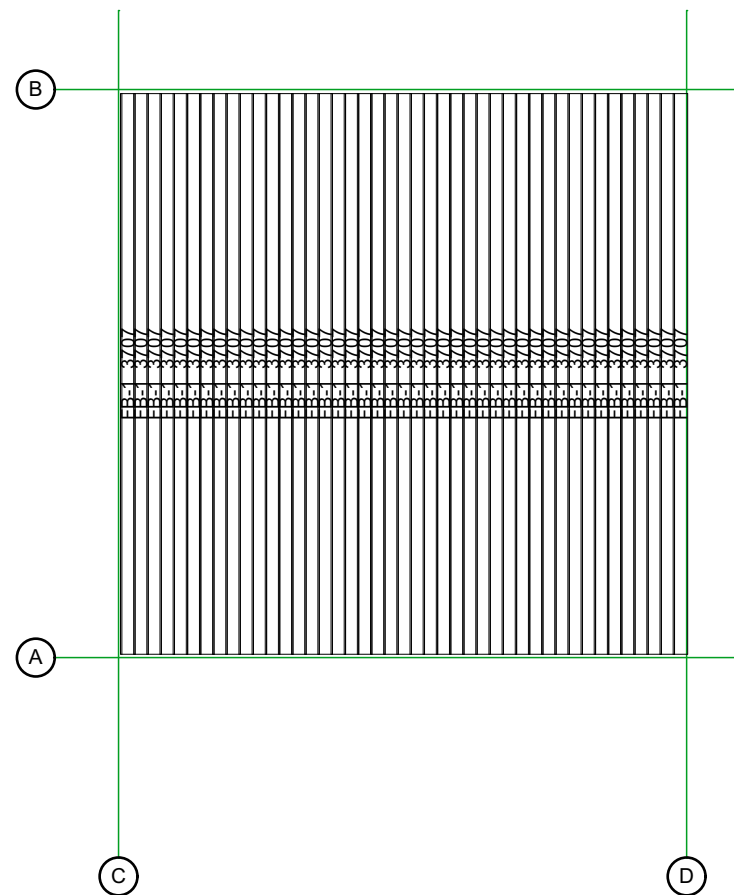


Thickness:	Project name:	Project ID:	Year:	Page:
44	Toscana 4x4	v.1	2022	2

Travetti sotto pavimento 44x60 1:50



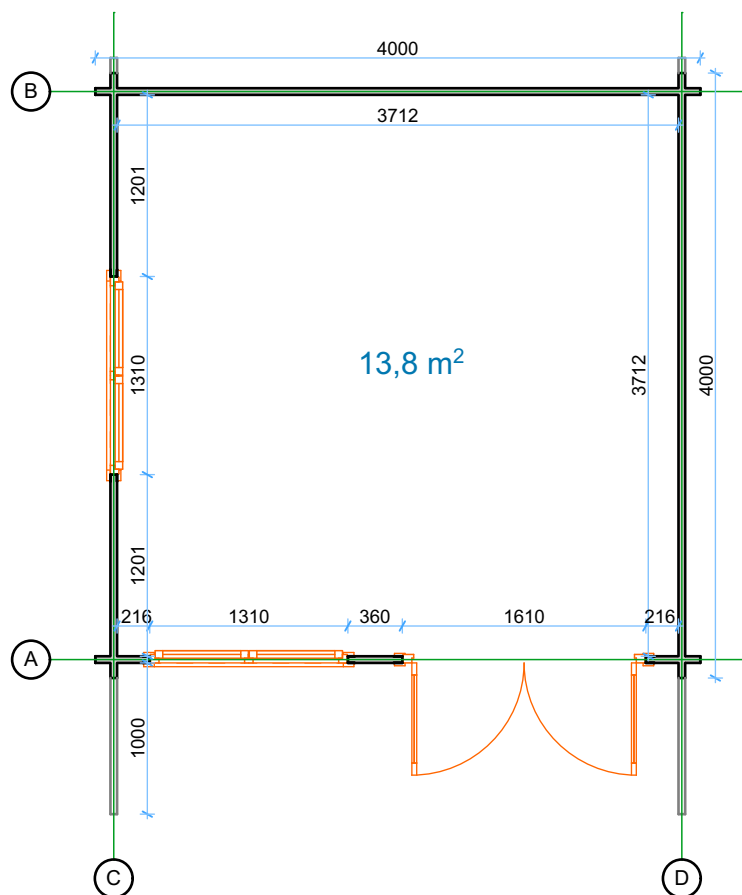
Tavole pavimento 1:50



Thickness:	Project name:	Project ID:	Year:	Page:
44	Toscana 4x4	v.1	2022	3

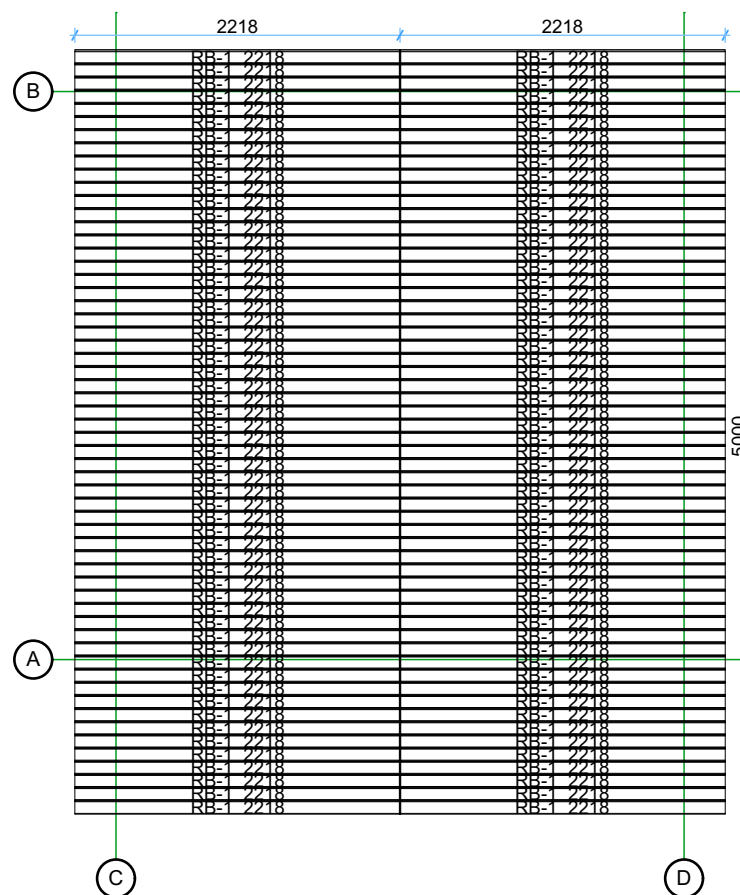
Planimetria

1:50



Tavole tetto

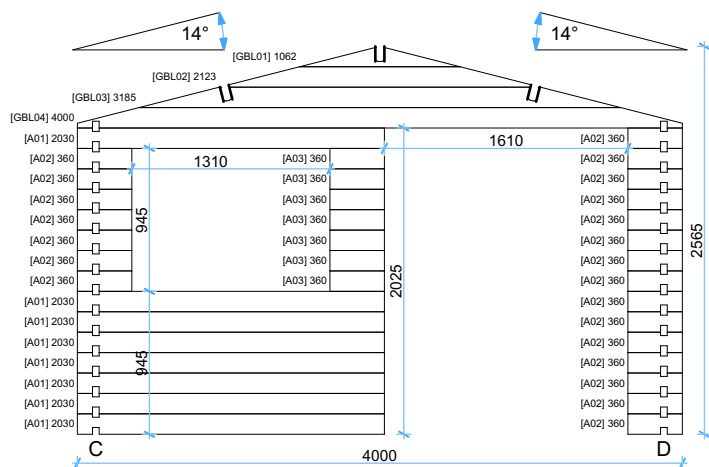
1:50



Thickness:	Project name:	Project ID:	Year:	Page:
44	Toscana 4x4	v.1	2022	4

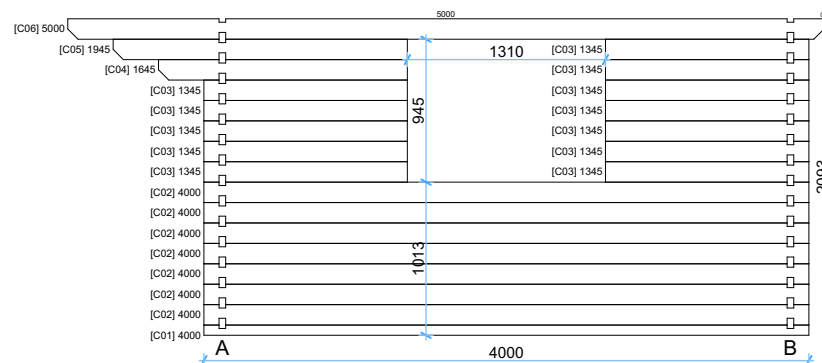
Parete A

1:50



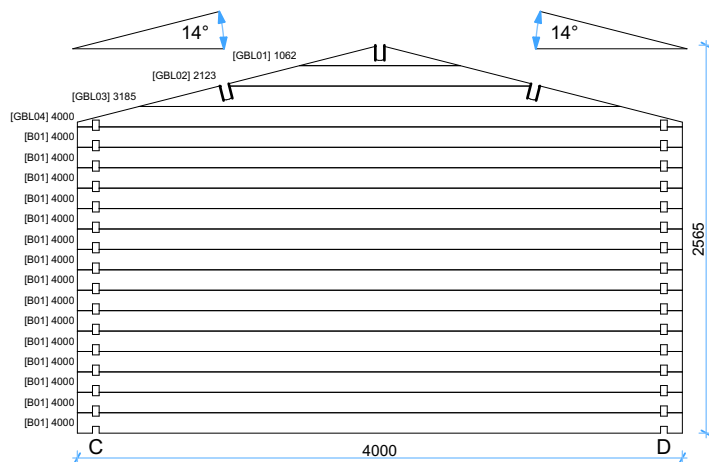
Parete C

1:50



Parete B

1:50

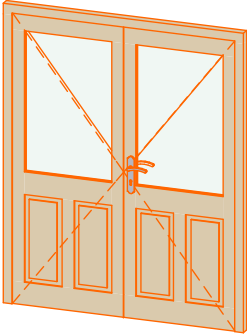
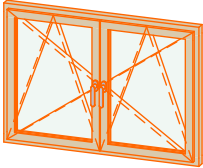


Parete D

1:50



Thickness:	Project name:	Project ID:	Year:	Page:
44	Toscana 4x4	v.1	2022	5

Windows and doors list							
Barcode	Type-quality	Wall Thickness	W x H Size	Orientation	Glazing	Quantity	3D Axonometry
PP198160-2	Door - Premium	44	1600×1980	R	50% glass, double glazed	1	
PP92130	Window - Premium	44	1300×920		Double glazed	2	

Thickness:	Project name:	Project ID:	Year:	Page:
44	Toscana 4x4	v.1	2022	6