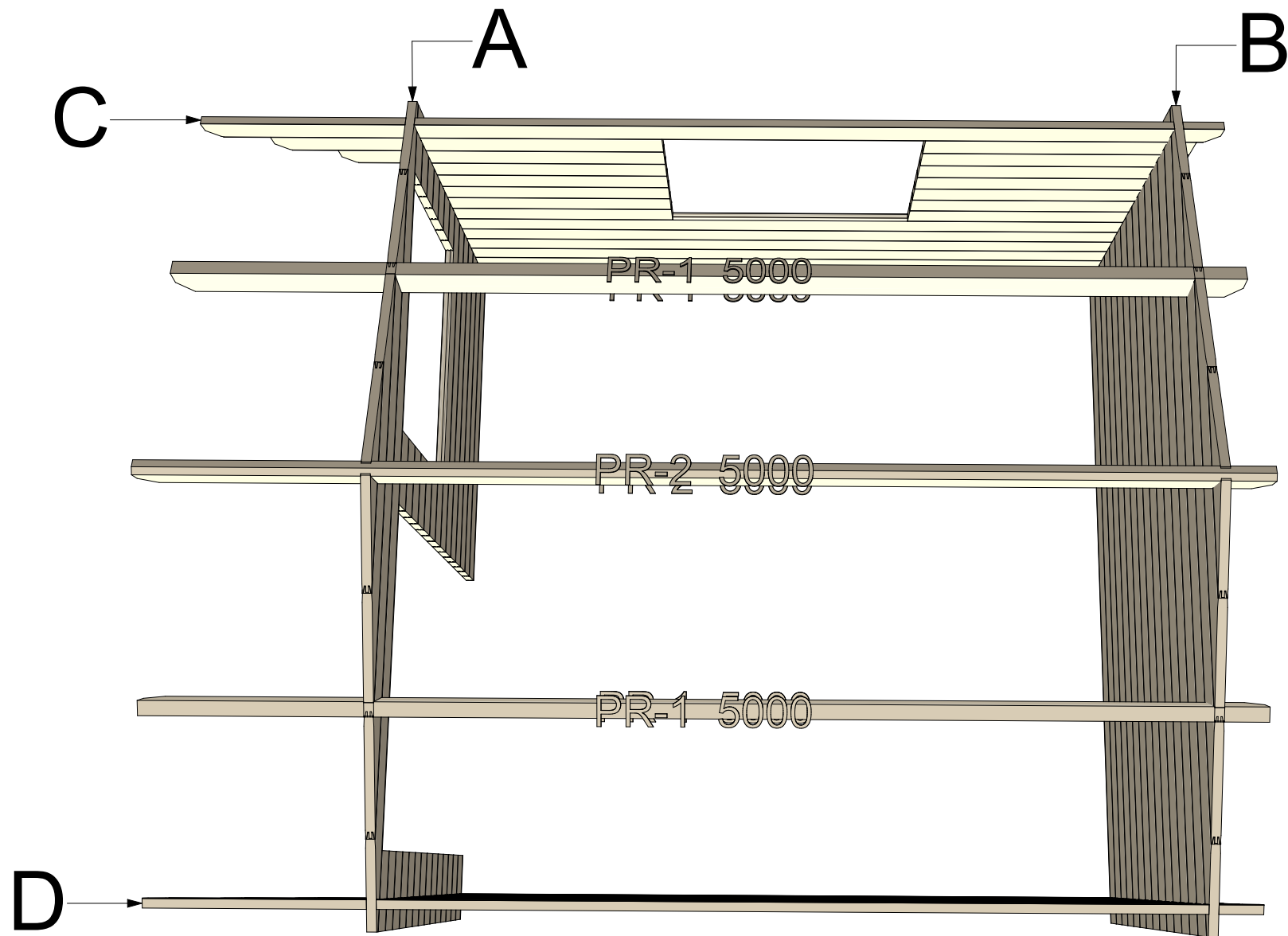




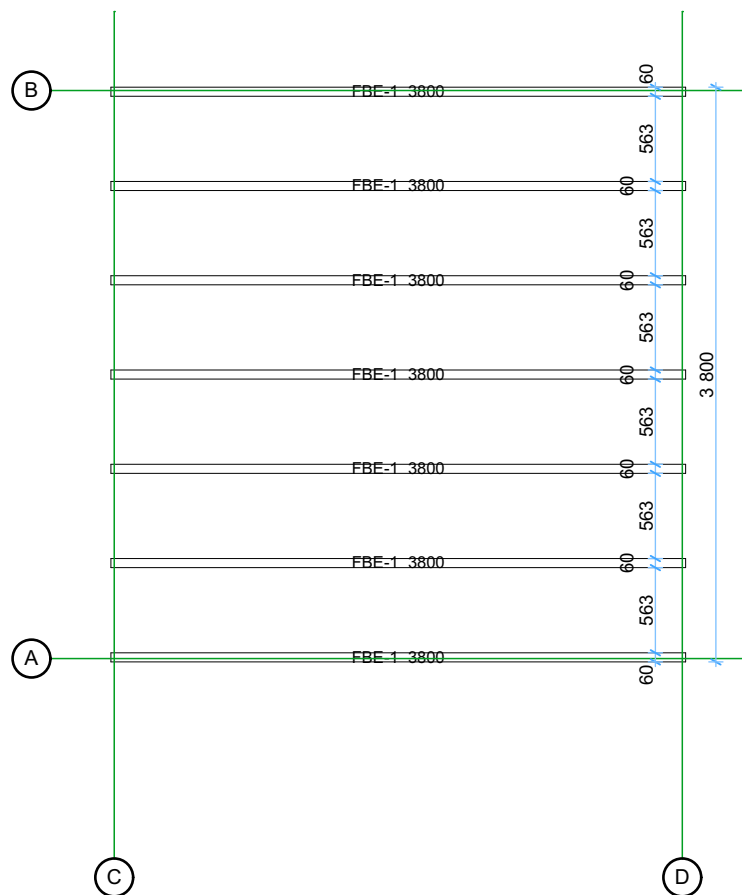
44 Linus(Toscana) 4x4



Thickness:	Project name:	Project ID:	Year:	Page:
44	Linus 4x4	v.2	2022	2

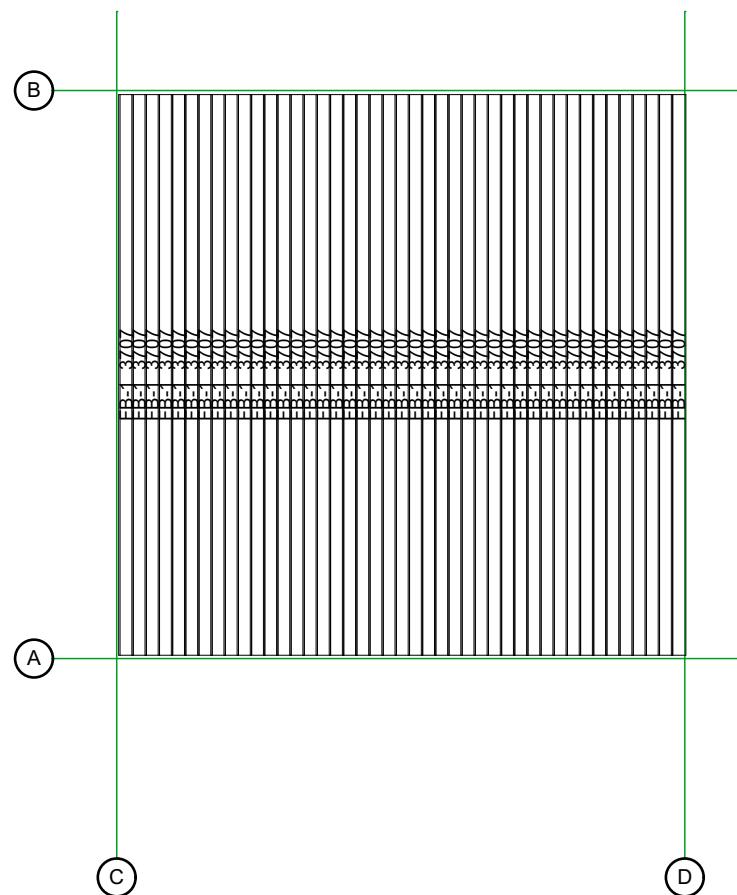
travetti sotto pavimento

1:50



Pavimento 19mm

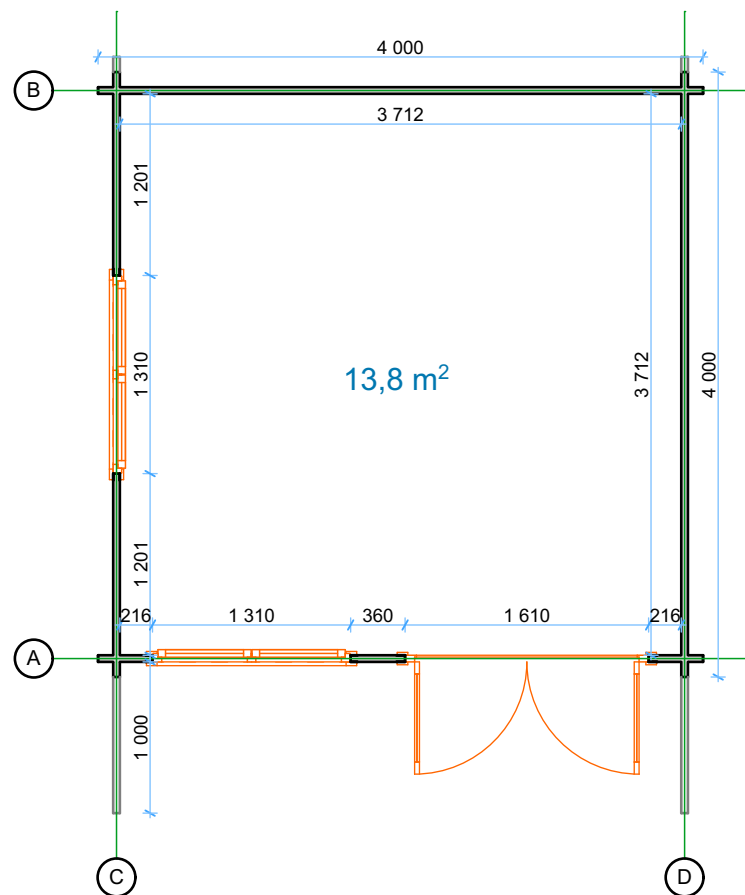
1:50



Thickness:	Project name:	Project ID:	Year:	Page:
44	Linus 4x4	v.2	2022	3

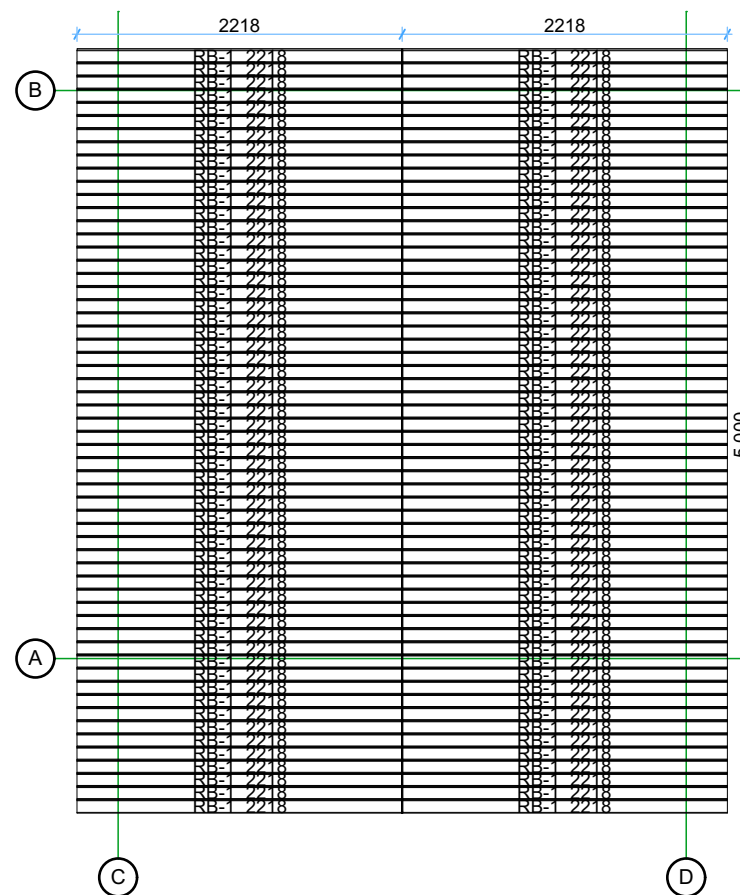
Pianta

1:50



Tavole Tetto 19mm

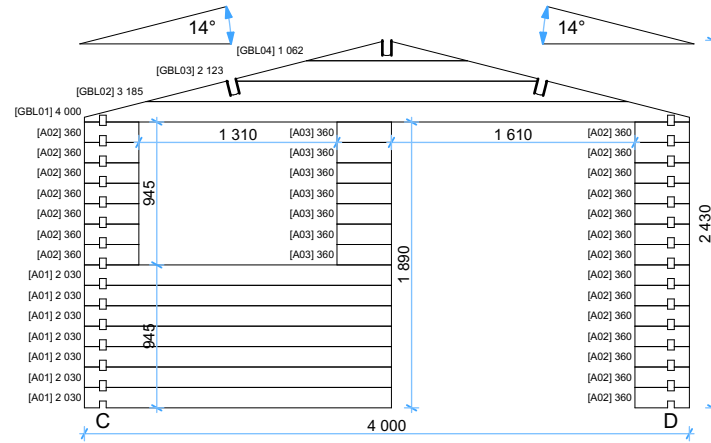
1:50



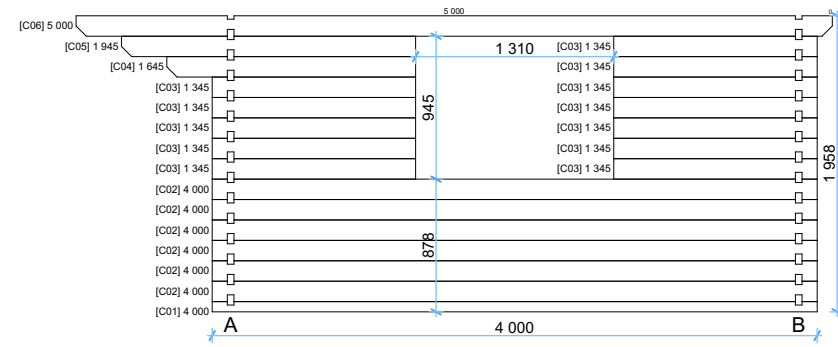
Thickness:	Project name:	Project ID:	Year:	Page:
44	Linus 4x4	v.2	2022	4

Parete A

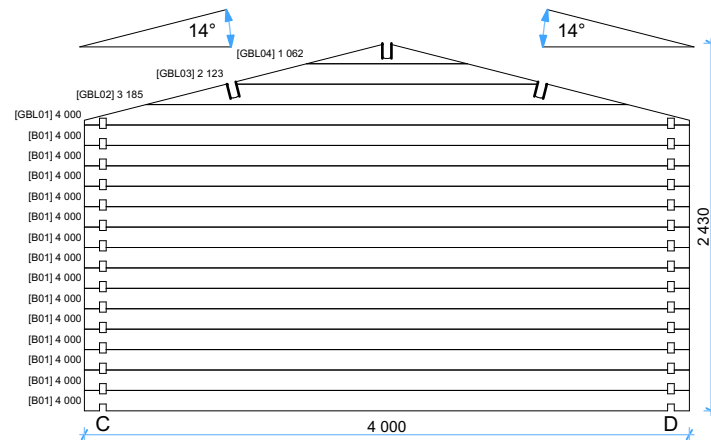
1:50


Parete C

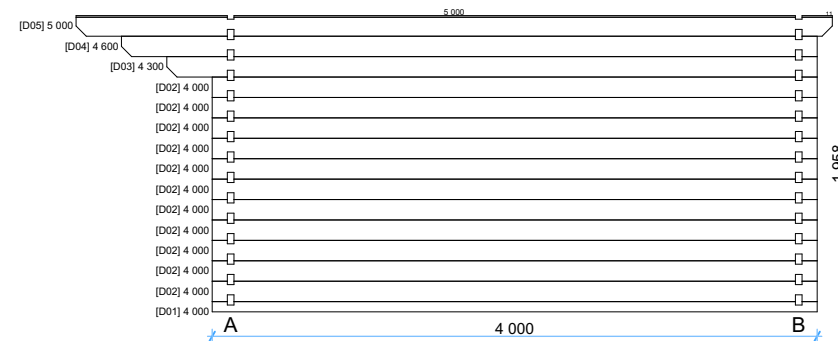
1:50


Parete B

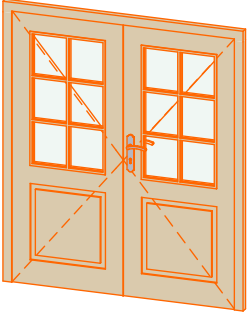
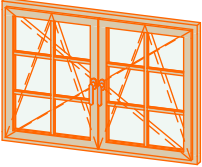
1:50


Parete D

1:50



Thickness:	Project name:	Project ID:	Year:	Page:
44	Linus 4x4	v.2	2022	5

Windows and doors list							
Barcode	Type-quality	Wall Thickness	W x H Size	Orientation	Glazing	Quantity	3D Axonometry
185140-2	Door - Economy	44	1 600×1 850	R	50% glass, single glazed	1	
S92130	Window - Economy	44	1 300×920		Single glazed	2	

Thickness:	Project name:	Project ID:	Year:	Page:
44	Linus 4x4	v.2	2022	6