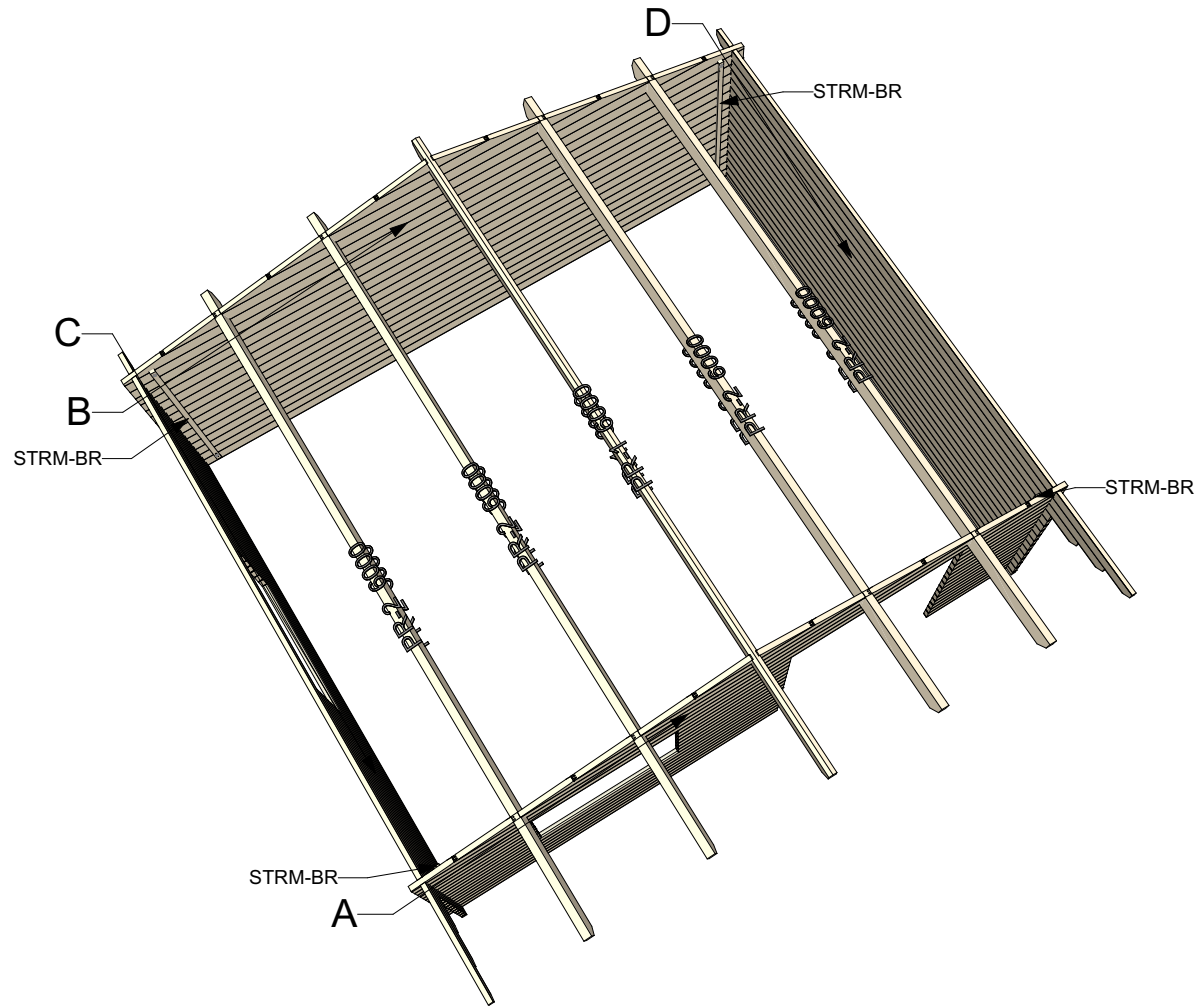


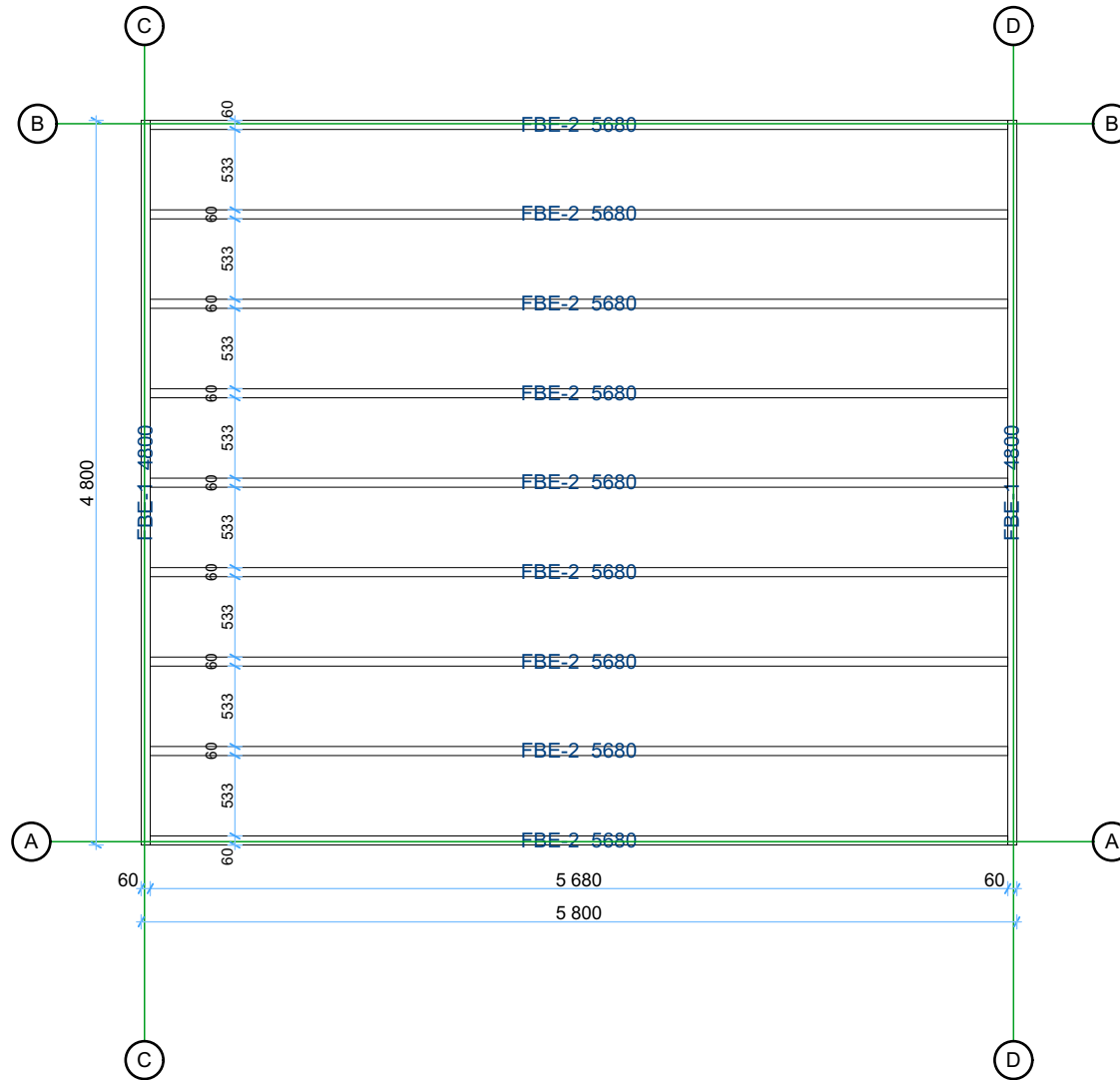


44 Linus (Toscana)6x5 v.1

posizione pareti



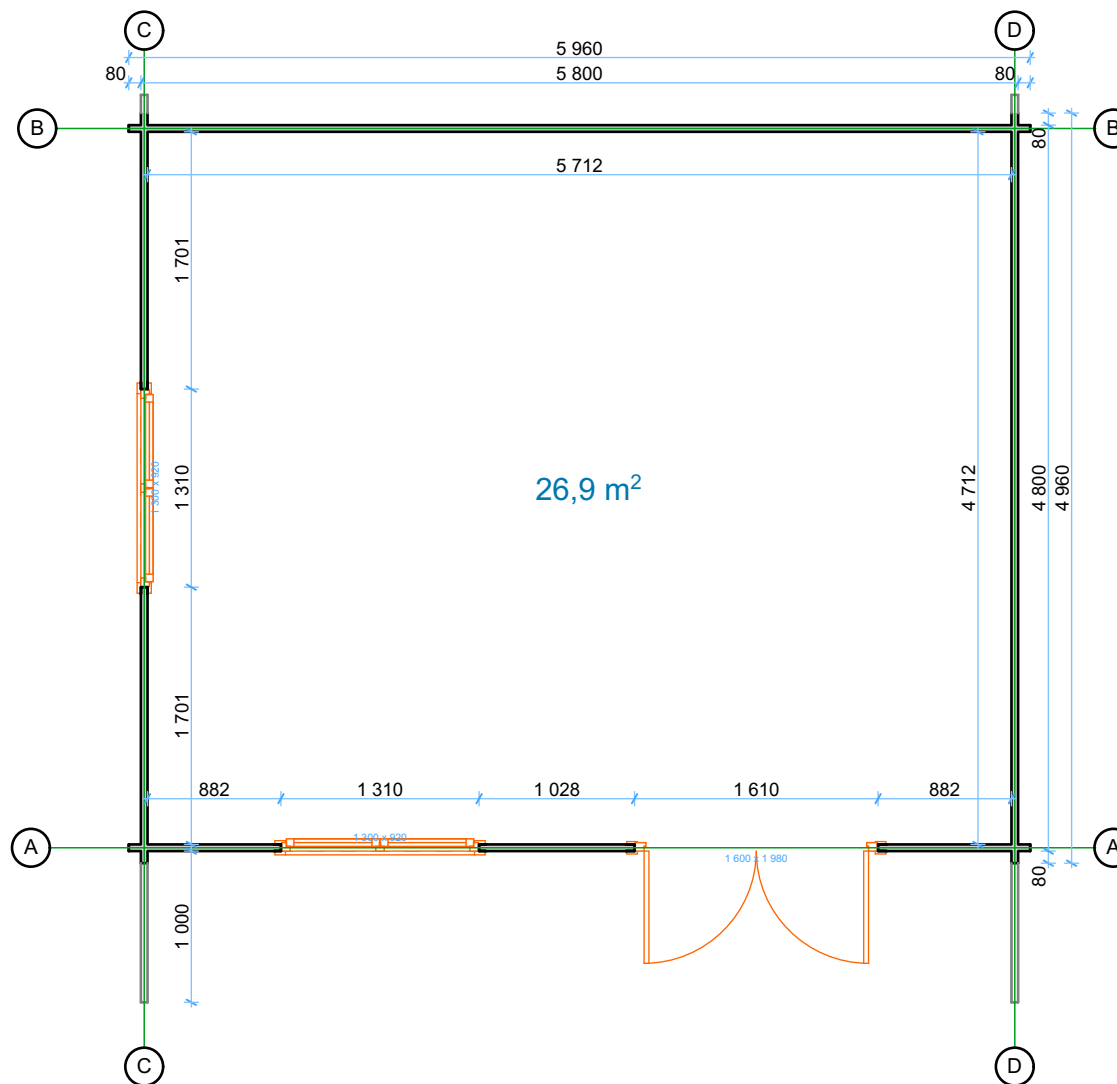
Thickness:	Project name:	Project ID:	Year:	Page:
44	Linus 6x5	v.1	2022	2



Thickness:	Project name:	Project ID:	Year:	Page:
44	Linus 6x5	v.1	2022	3

Ground floor plan

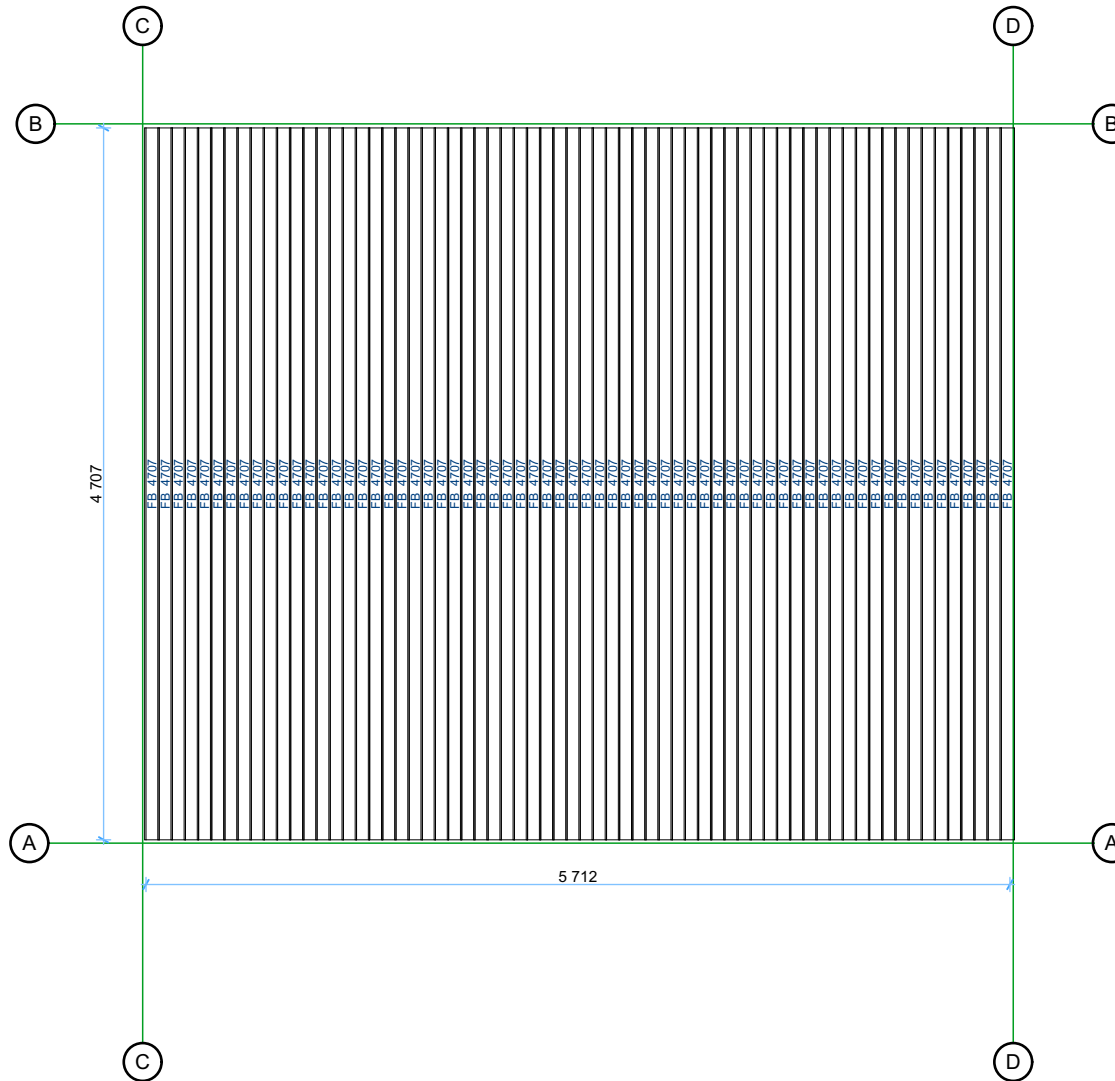
1:50



Thickness:	Project name:	Project ID:	Year:	Page:
44	Linus 6x5	v.1	2022	4

Floor boards

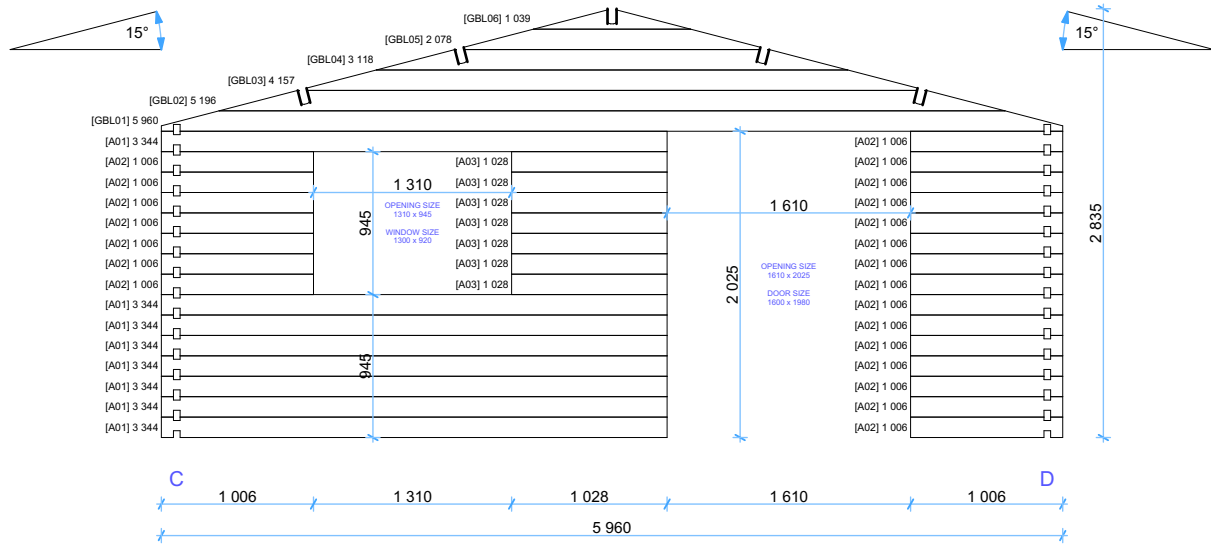
1:50



Thickness:	Project name:	Project ID:	Year:	Page:
44	Linus 6x5	v.1	2022	5

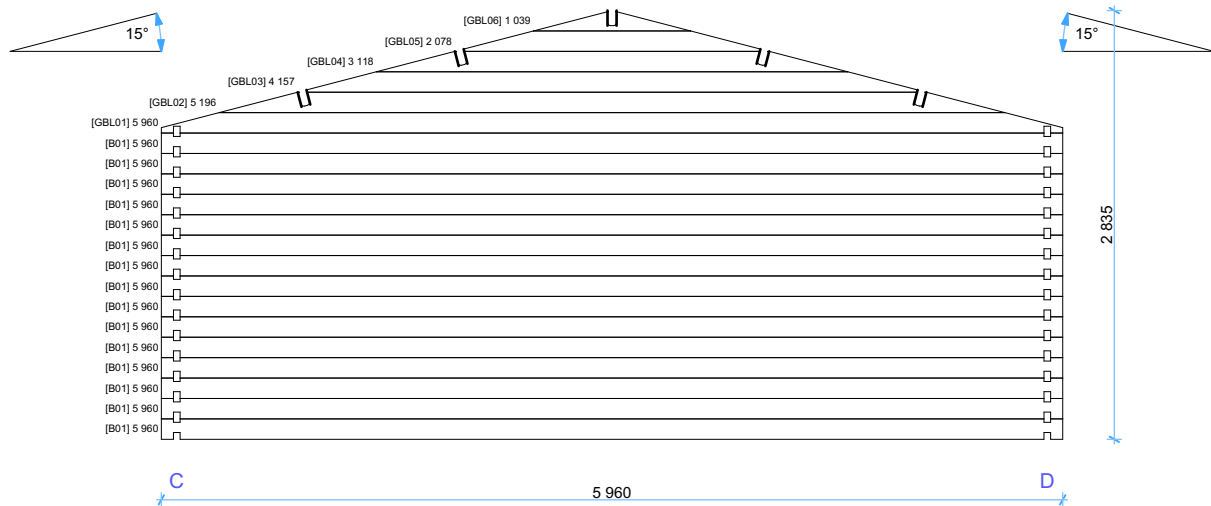
Wall A

1:50



Wall B

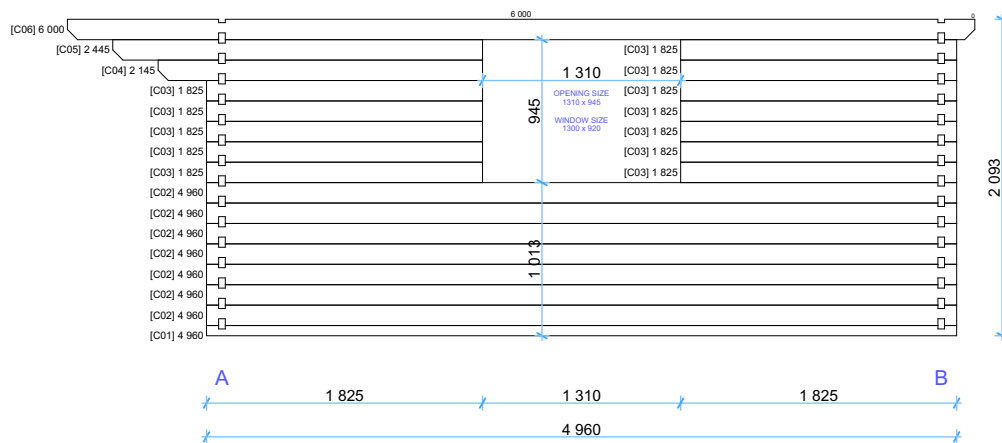
1:50



Thickness:	Project name:	Project ID:	Year:	Page:
44	Linus 6x5	v.1	2022	7

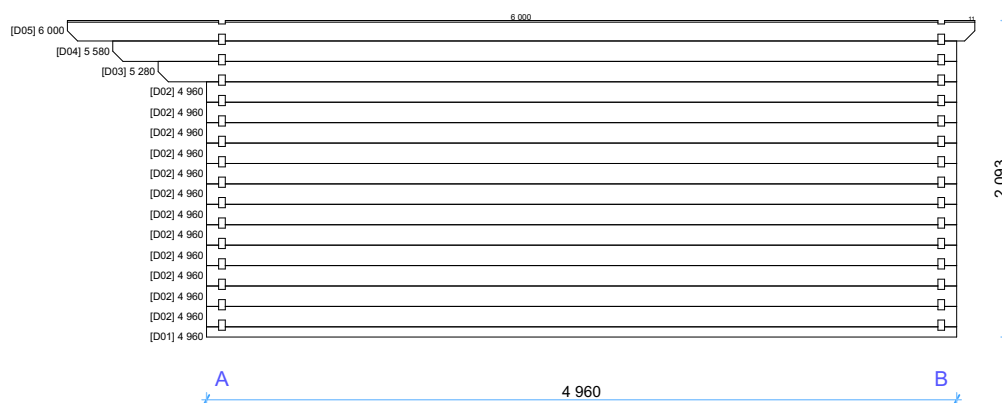
Wall C

1:50

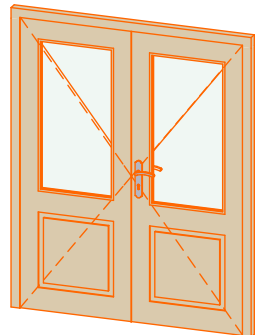
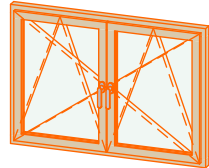


Wall D

1:50



Thickness:	Project name:	Project ID:	Year:	Page:
44	Linus 6x5	v.1	2022	8

Windows and doors list							
Type-quality	Barcode	Wall Thickness	W x H Size	Orientation	Glazing	Quantity	3D Axonometry
Door - Premium	PP198160-2	44	1 600×1 980	R	50% glass, double glazed	1	
Window - Premium	PP92130	44	1 300×920		Double glazed	2	

Thickness:	Project name:	Project ID:	Year:	Page:
44	Linus 6x5	v.1	2022	9