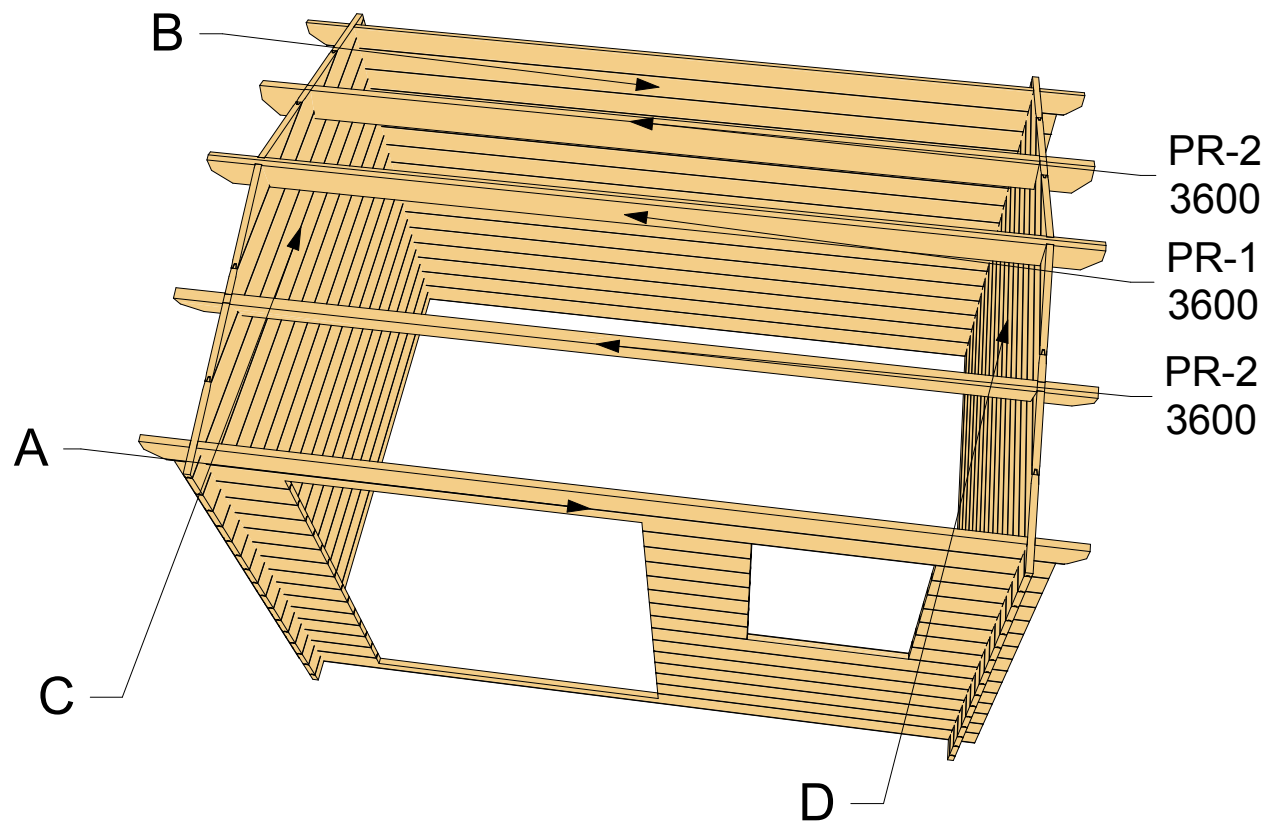




28mm Lucca 2,5x3,4

Architect name:	Thickness:	Type:	Project name:	Project No:	Year:	Page:
Laura Daubaraitė	28mm	Standard	Erna 2,5x3,4		2019	1

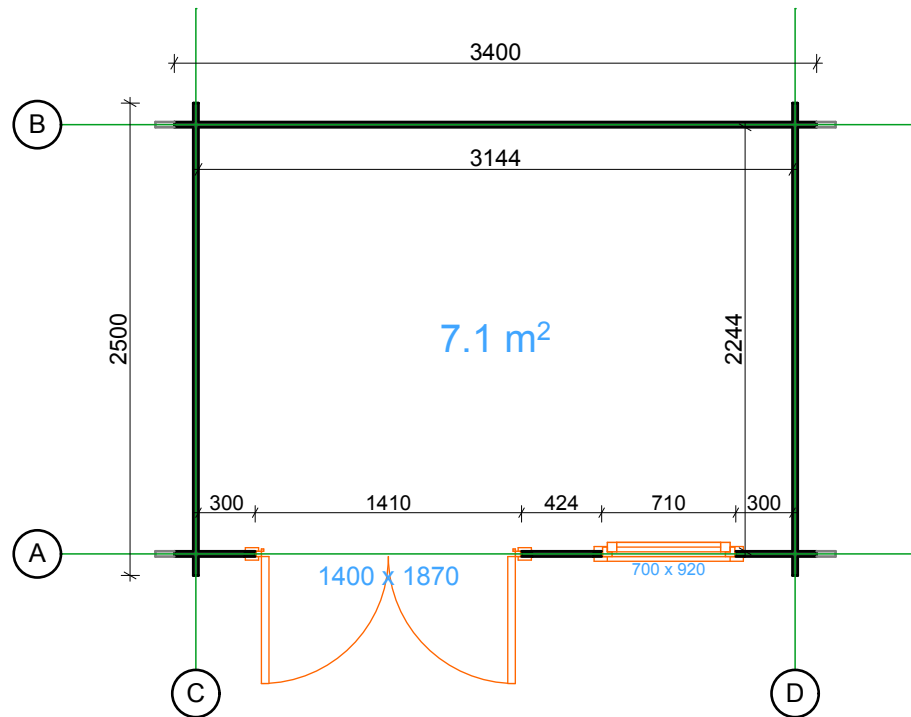
Posizione pareti e travi del tetto



Architect name:	Thickness:	Type:	Project name:	Project No:	Year:	Page:
	28mm	Standard	Lucca 2,5x3,4		2019	2

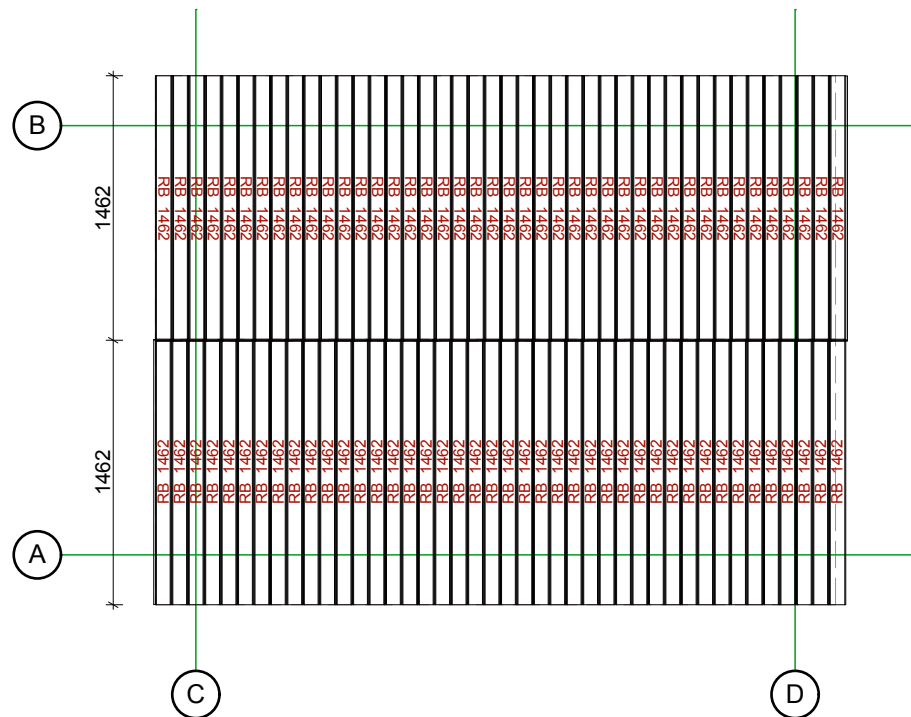
Planimetria

1:40



Tavole tetto 19mm

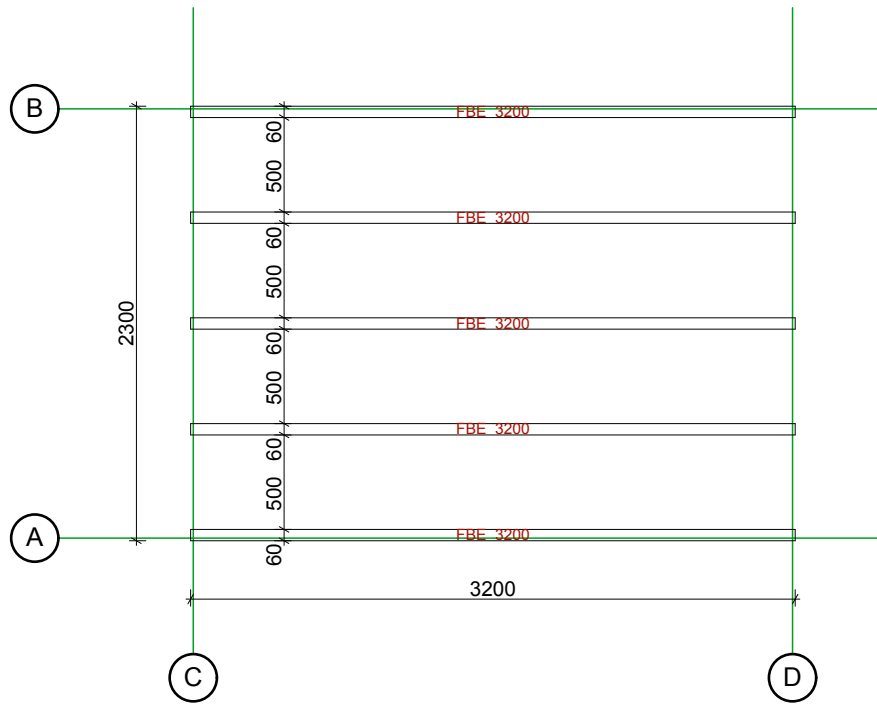
1:40



Architect name:	Thickness:	Type:	Project name:	Project No:	Year:	Page:
Laura Daubaraitė	28mm	Standard	Lucca 2,5x3,4		2019	3

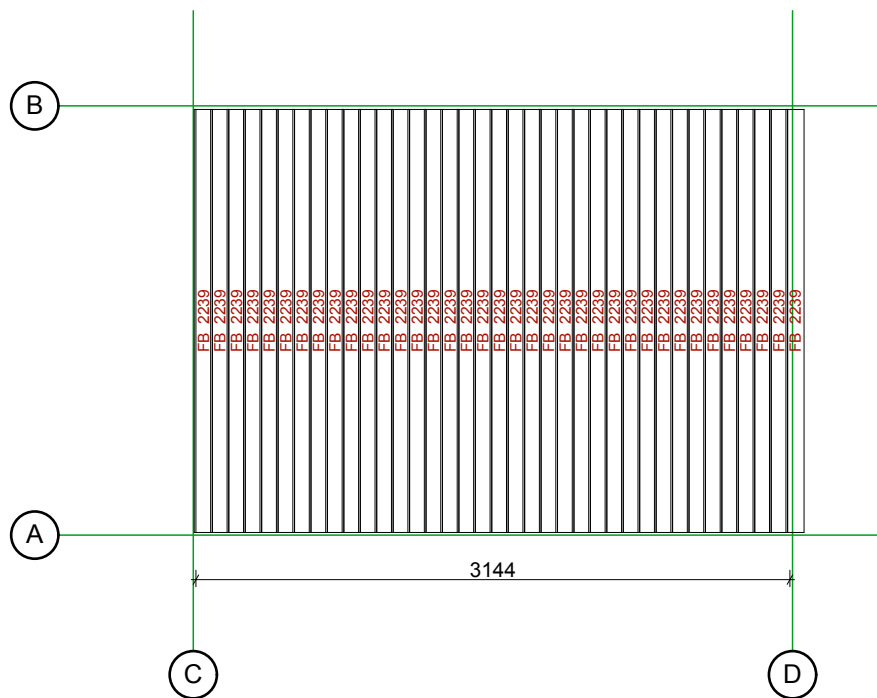
travetti sottopavimento

1:40



Pavimento 19mm

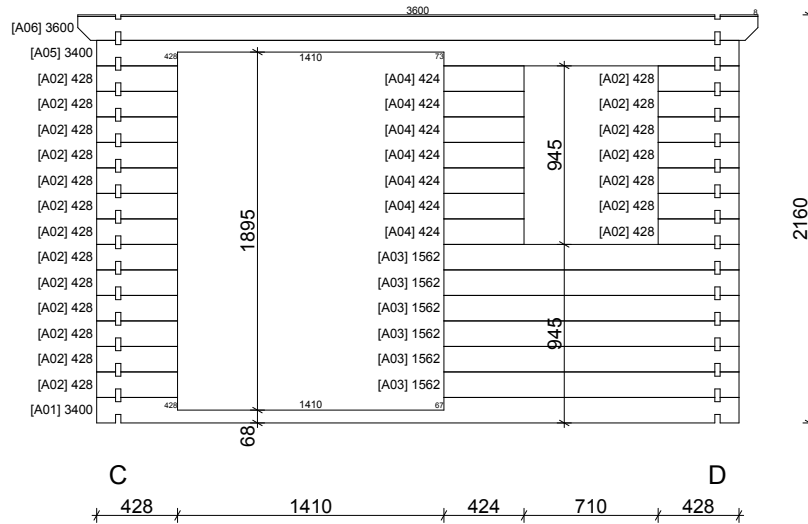
1:40



Architect name:	Thickness:	Type:	Project name:	Project No:	Year:	Page:
	28mm	Standard	Lucca 2,5x3,4		2019	4

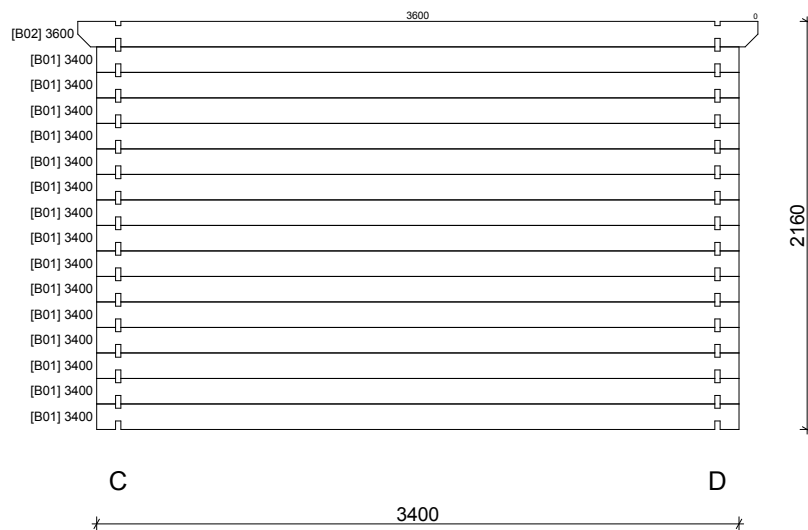
Parete A

1:40



Parete B

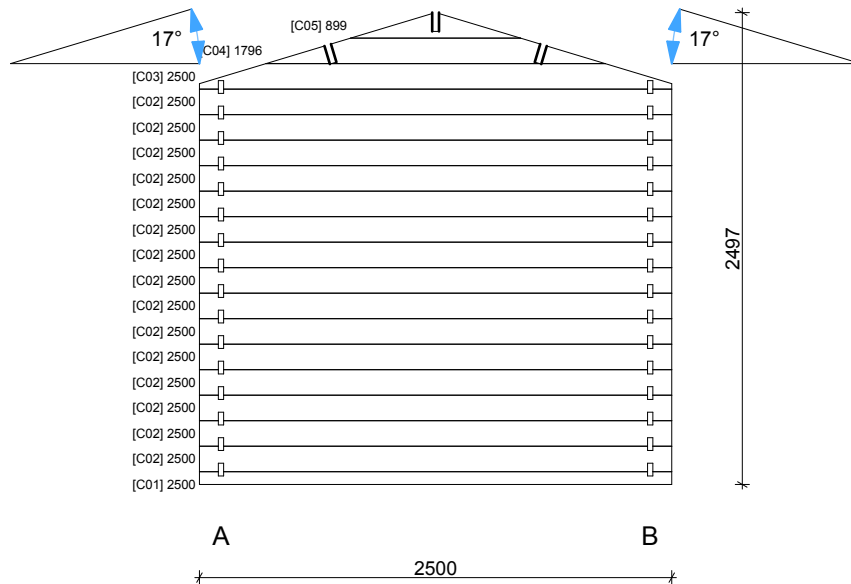
1:40



Architect name	Thickness:	Type:	Project name:	Project No:	Year:	Page:
	28mm	Standard	Lucca 2,5x3,4		2019	5

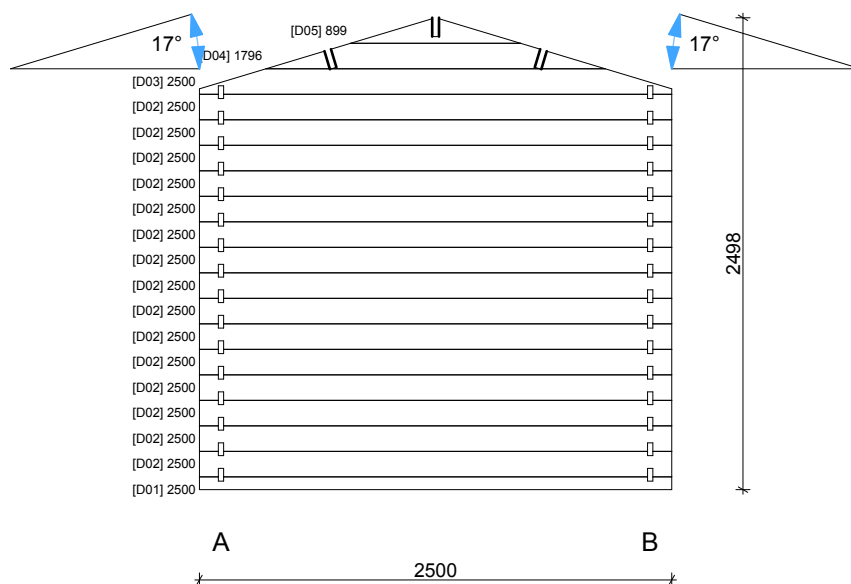
Parete C

1:40



Parete D

1:40



Architect name:	Thickness:	Type:	Project name:	Project No:	Year:	Page:
	28mm	Standard	Lucca 2,5x3,4		2019	6