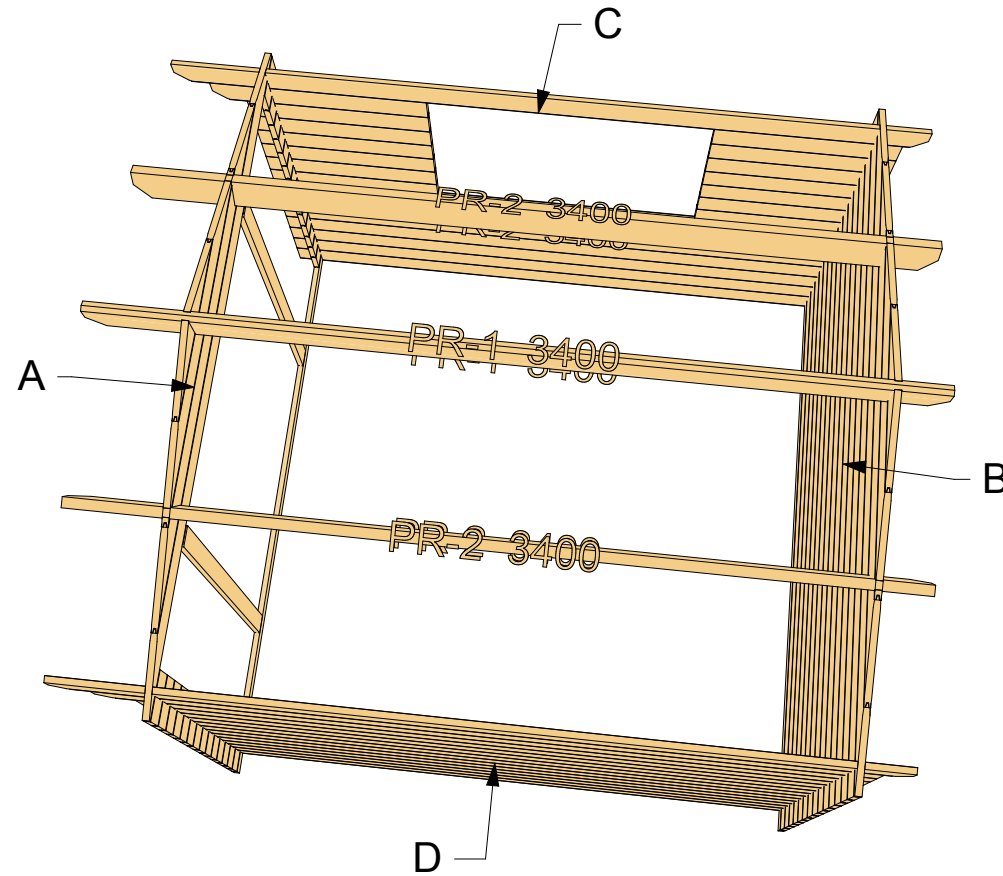




28 mm Sicilia 3x3

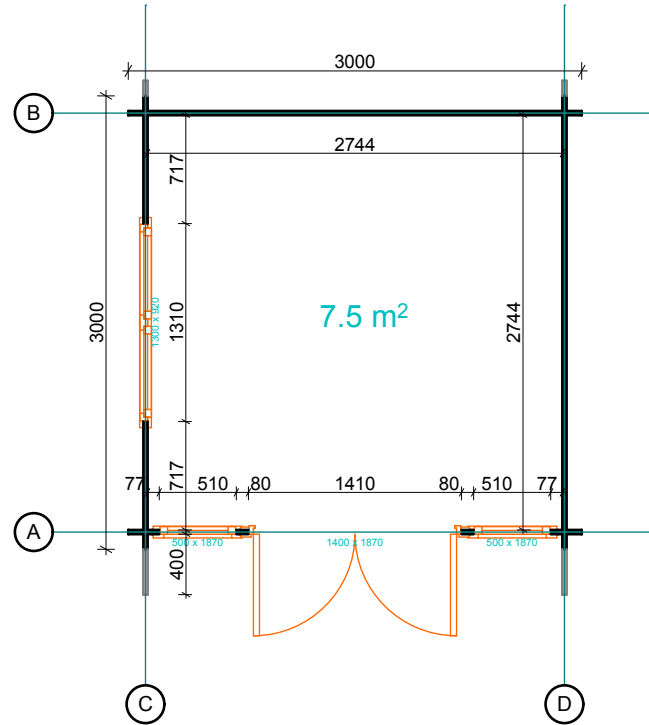
Architect name:	Thickness:	Type:	Project name:	Project No:	Year:	Page:
	28 mm	Standard	Sicilia 3x3		2019	1

Posizione pareti e travi del tetto

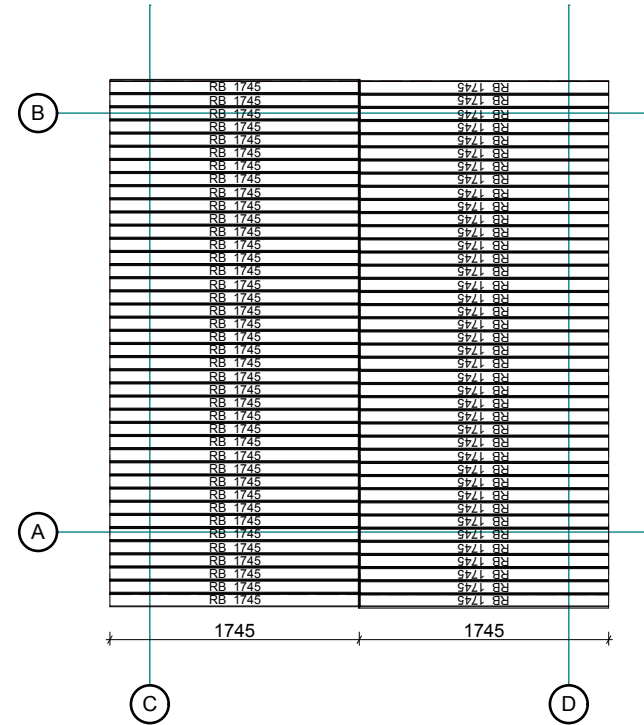


Architect name:	Thickness:	Type:	Project name:	Project No:	Year:	Page:
	28 mm	Standard	Sicilia 3x3		2019	2

Pianta 1:50

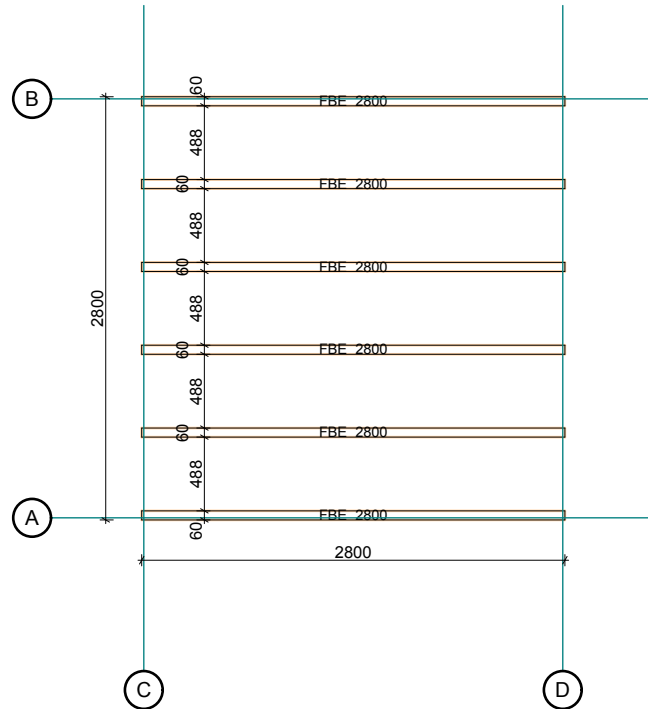


Tavole tetto 19mm 1:50

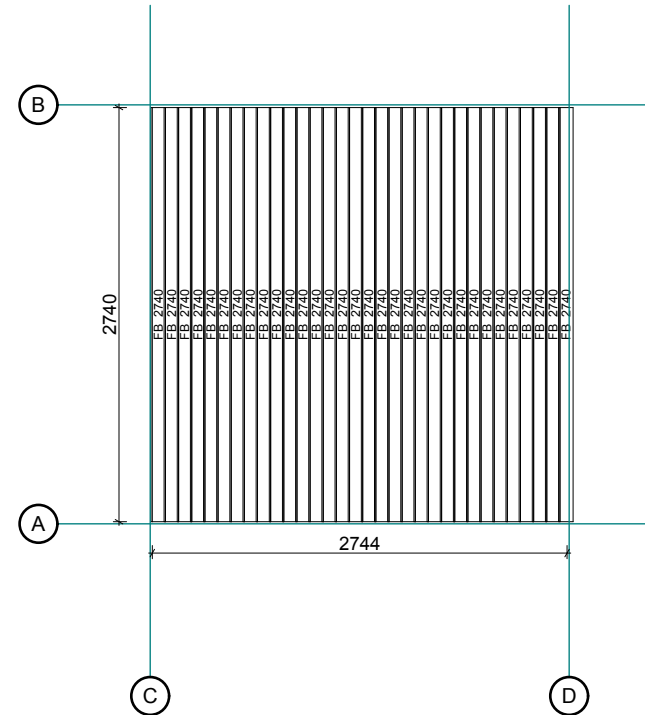


Architect name:	Thickness:	Type:	Project name:	Project No:	Year:	Page:
	28 mm	Standard	Sicilia 3x3		2019	3

Travetti sotto la struttura 1:50



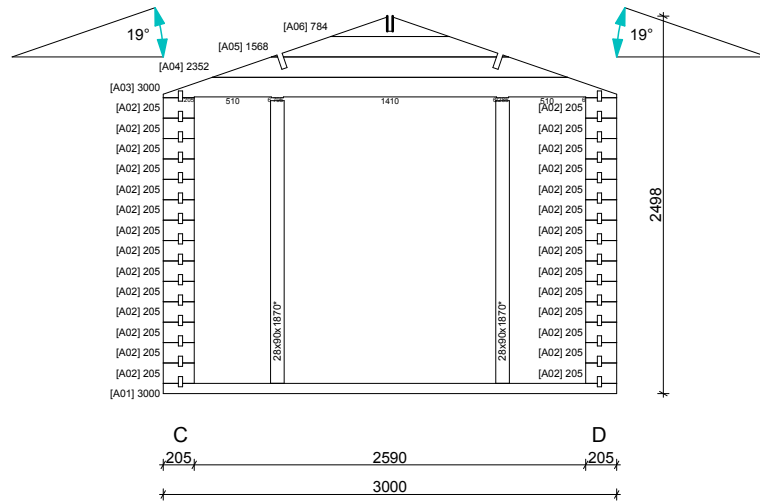
Pavimento 19mm 1:50



Architect name:	Thickness:	Type:	Project name:	Project No:	Year:	Page:
	28 mm	Standard	Sicilia 3x3		2019	4

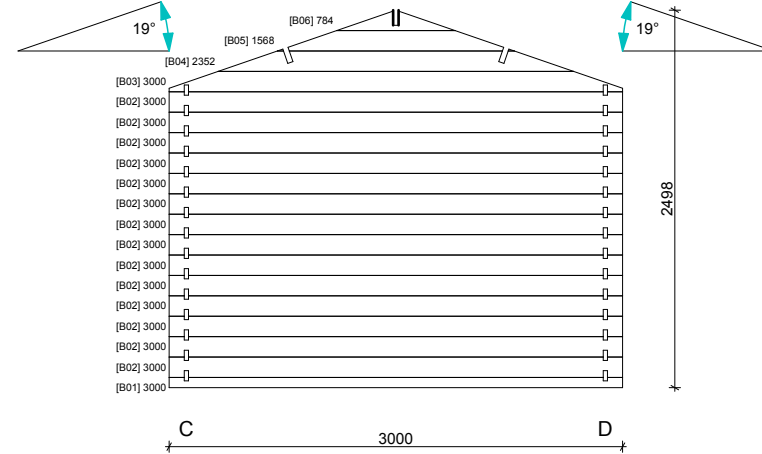
Parete A

1:50



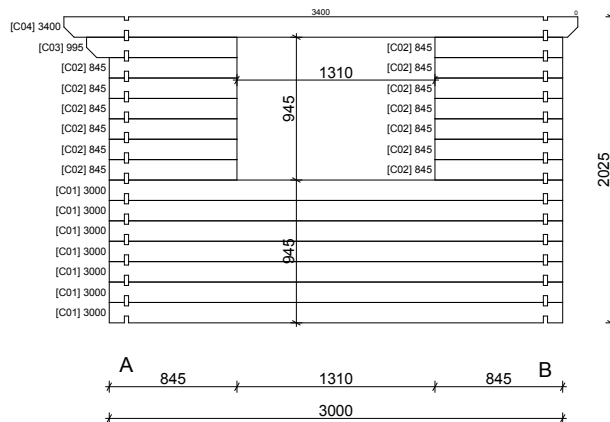
Parete B

1:50



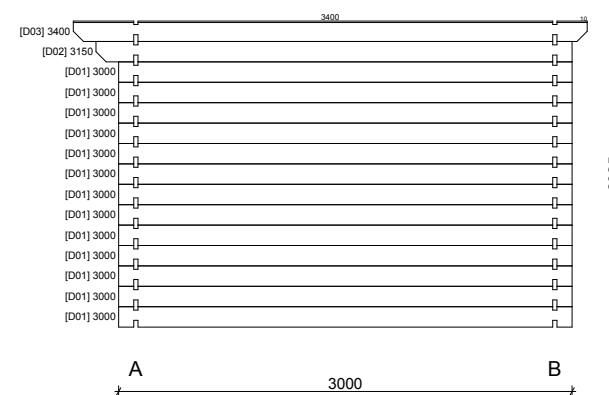
Parete C

1:50



Parete D

1:50



Architect name:	Thickness:	Type:	Project name:	Project No:	Year:	Page:
	28 mm	Standard	Sicilia 3x3		2019	5