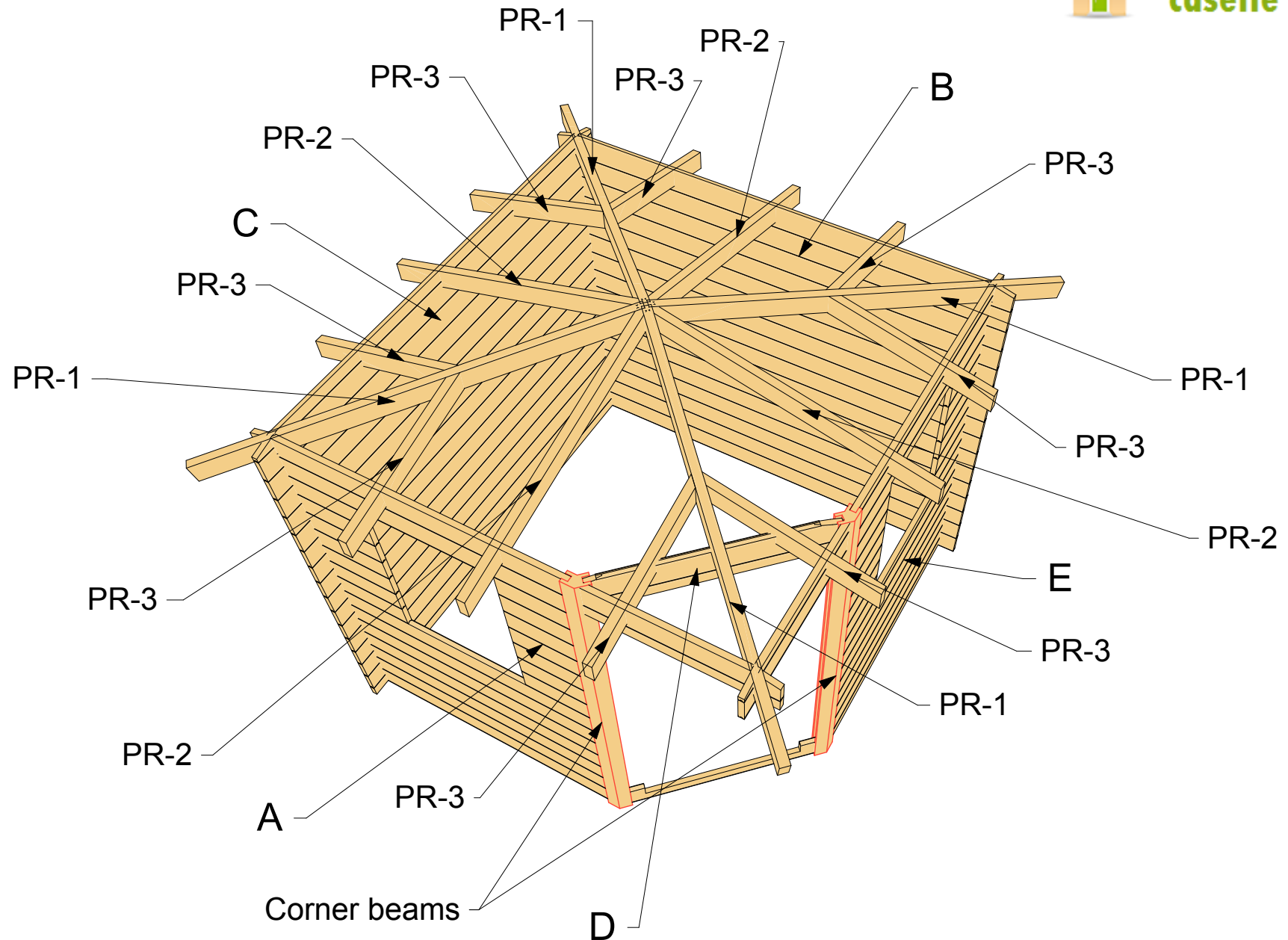




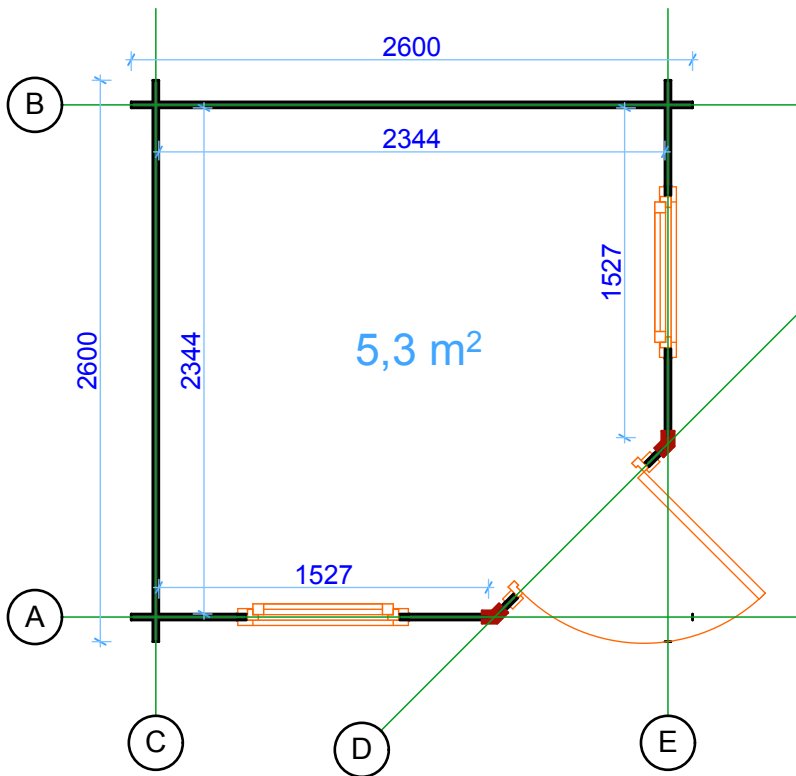
28mm London

Walls and purlins positions

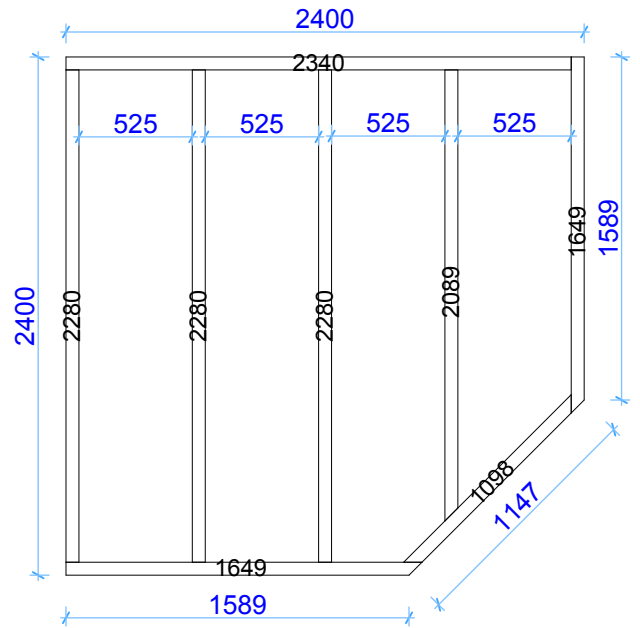




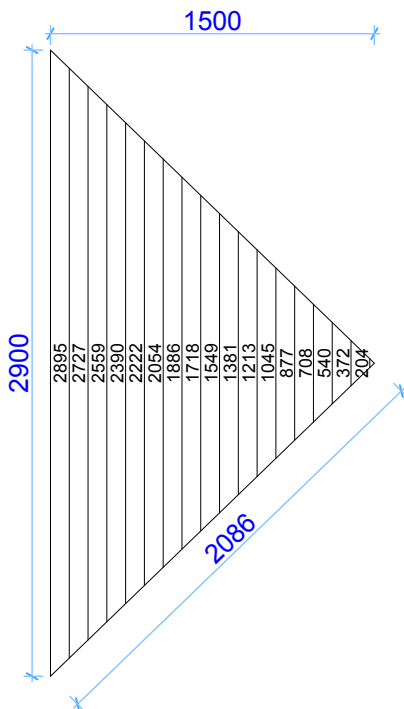
Floor plan



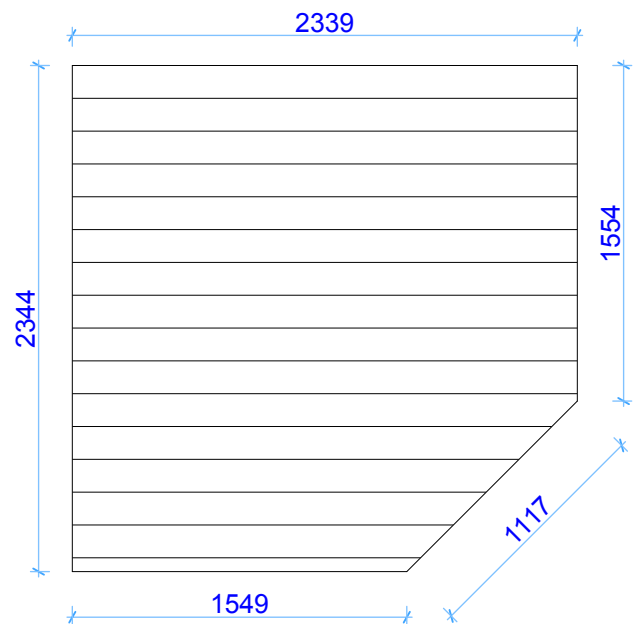
Floor bearers



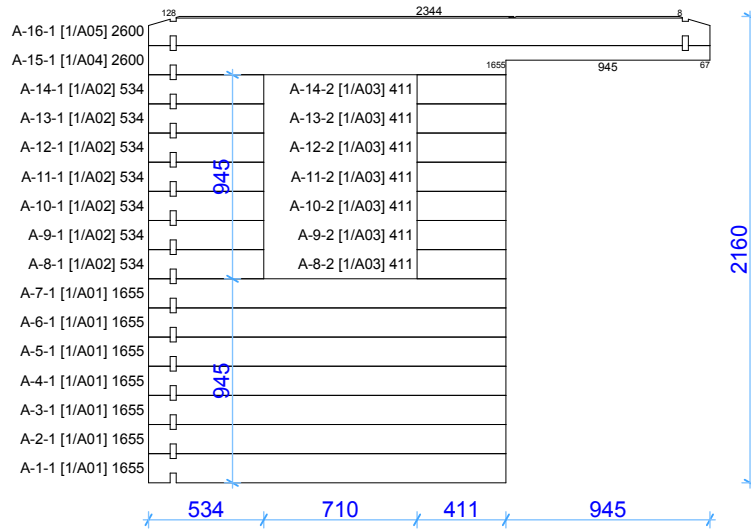
Roof boards (4units)



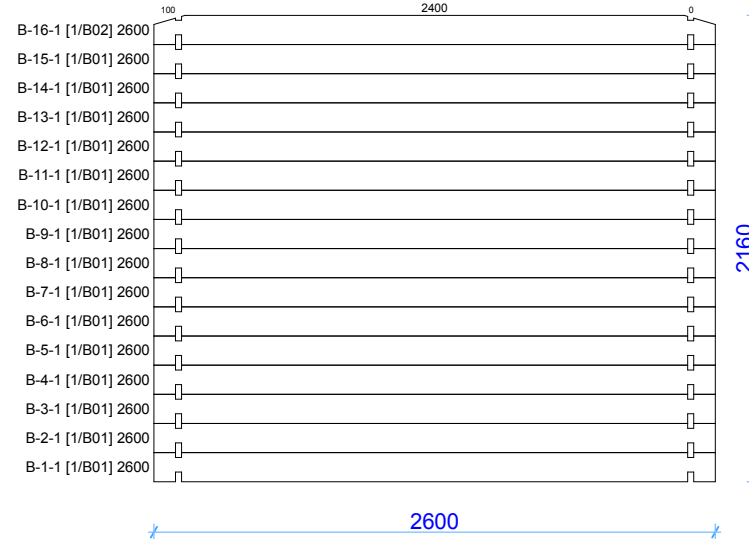
Floor boards



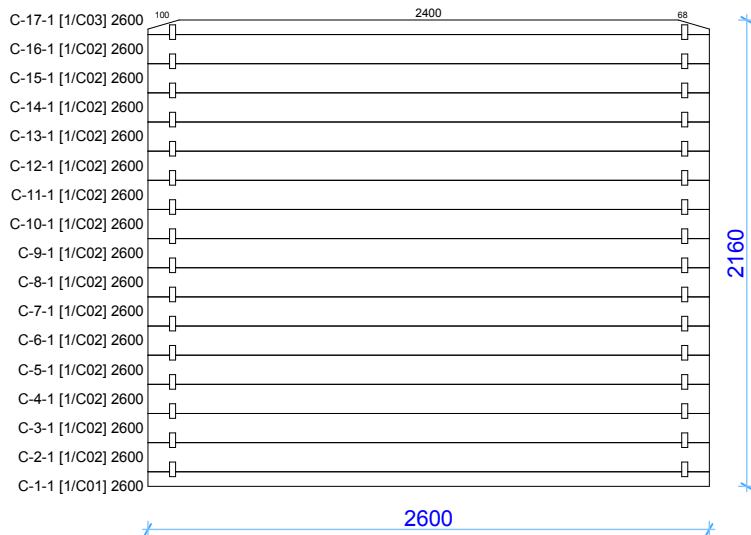
Wall A



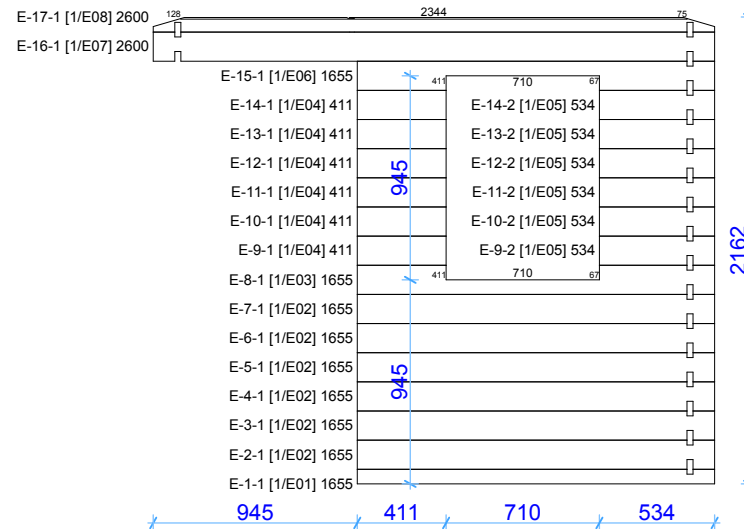
Wall B



Wall C



Wall E



Wall E

