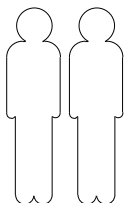
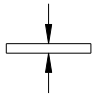
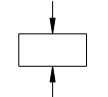
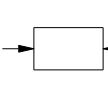
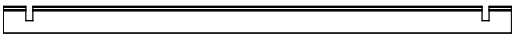



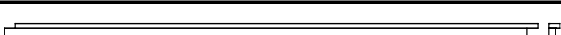
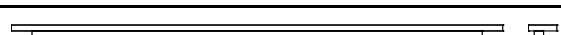
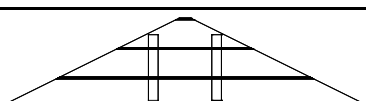
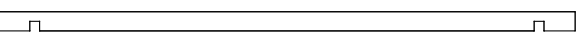

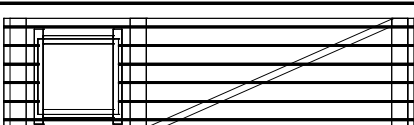
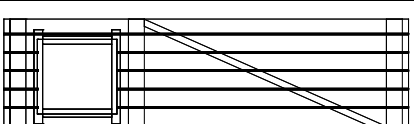

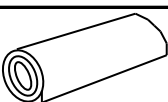
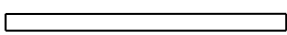


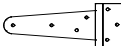

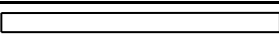
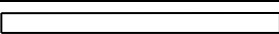
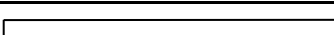
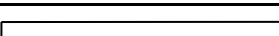


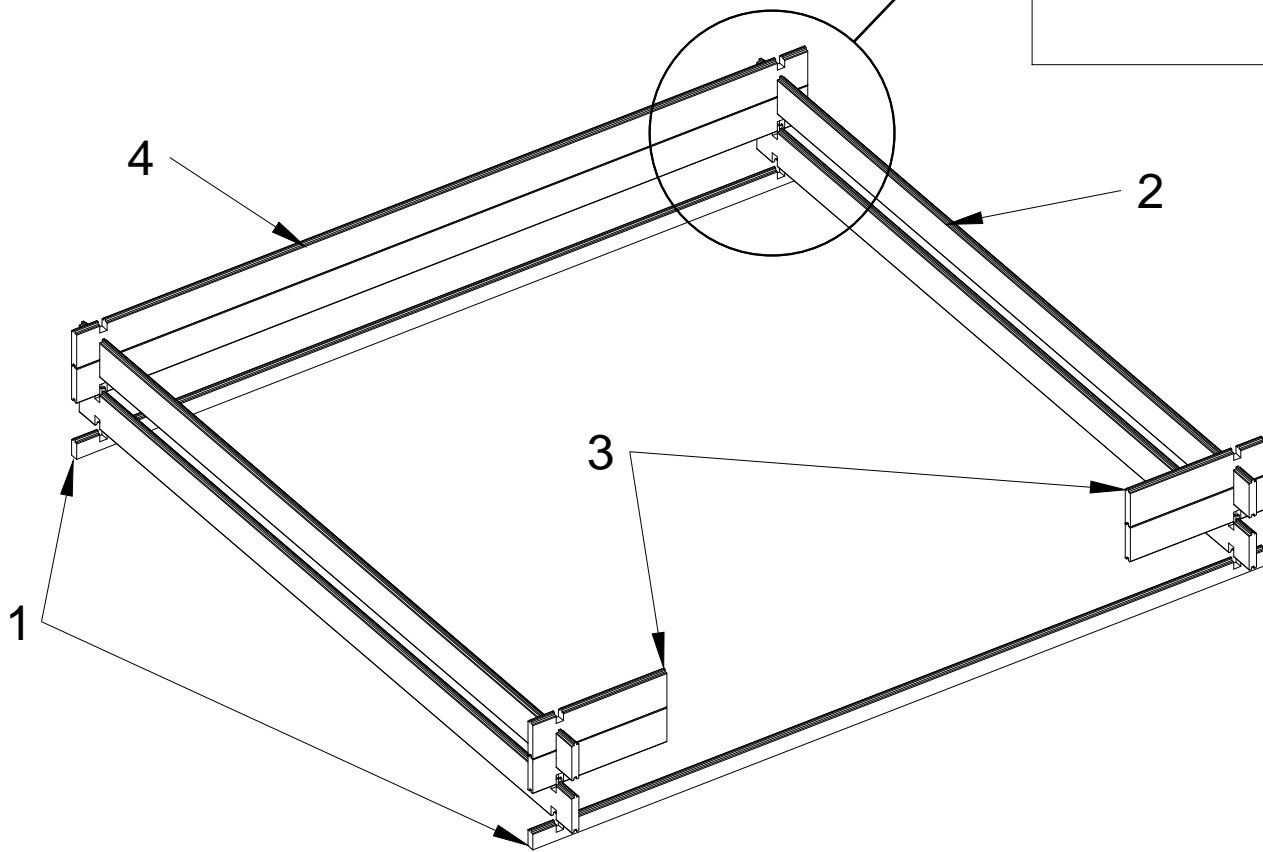
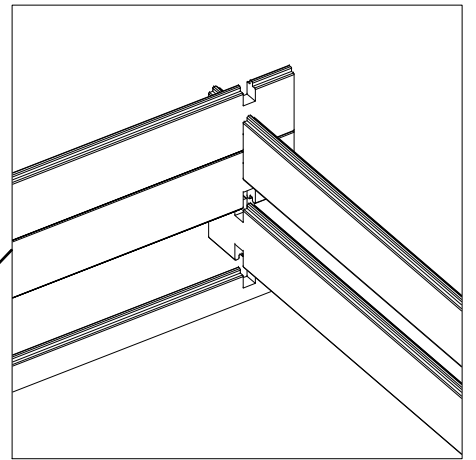
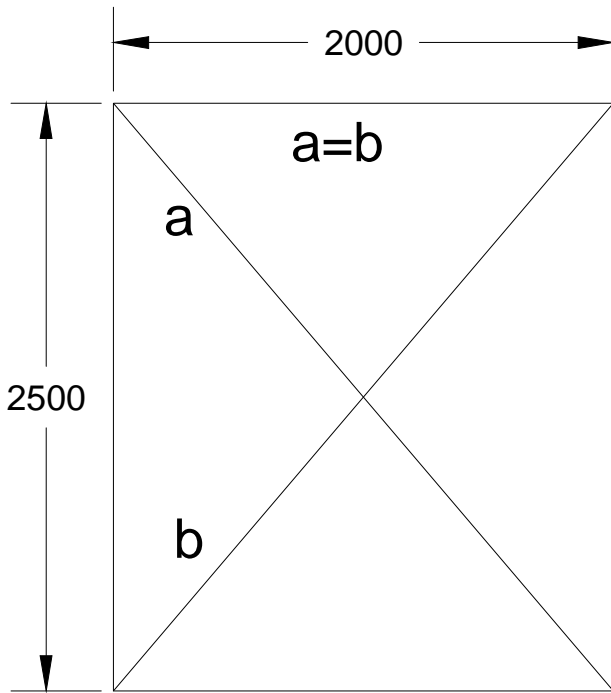
- |          |        |       |
|----------|--------|-------|
| <b>A</b> | 4x45   | x 16  |
| <b>B</b> | 1.4x25 | x 40  |
| <b>C</b> | 3x25   | x 117 |
| <b>D</b> | 6x50   | x 4   |
| <b>E</b> | 3x20   | x 18  |



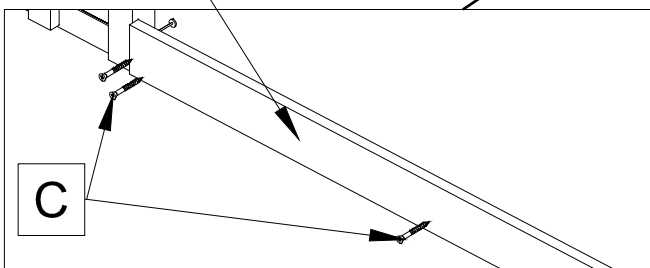
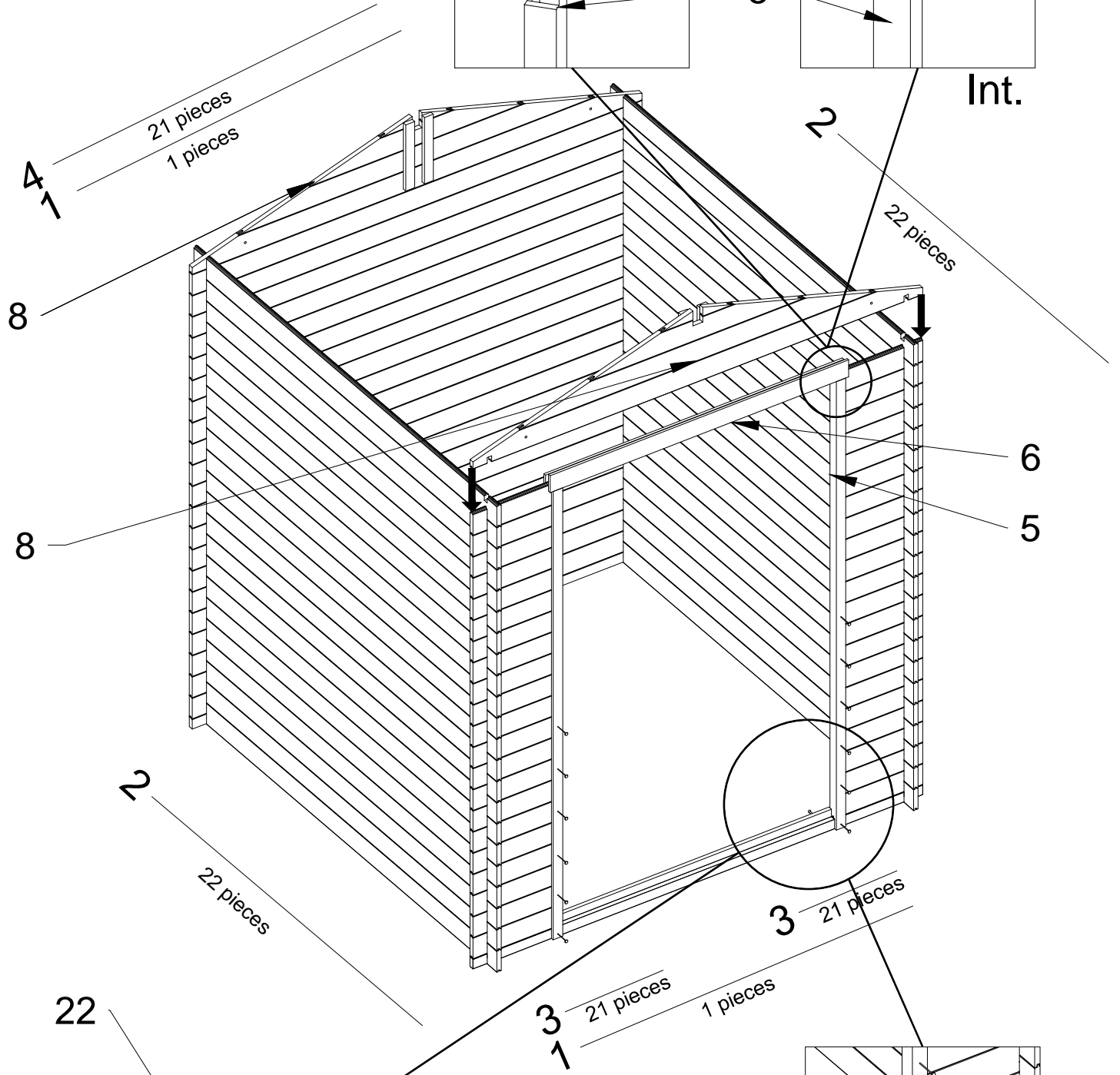
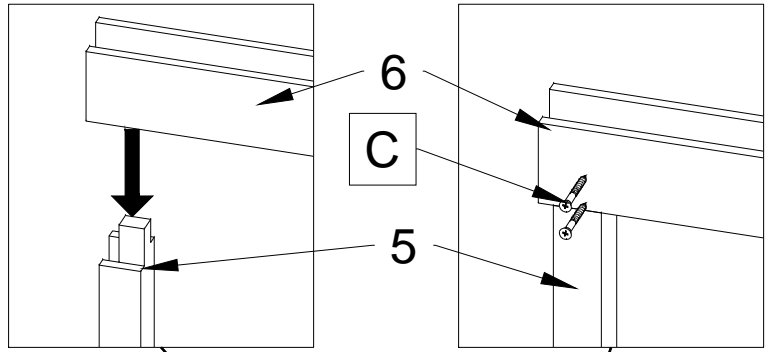
11D 20

№		PCS	 mm	 mm	 mm
1		2	19	52	2000
2		44	19	92	2500
3		42	19	92	384
4		21	19	92	2000
5		2	38	38	1842
6		1	48	84	1290
8		2		305	2000
9		1	40	60	2500
10		4	15	35	1800
11G		1		585	1760
11D		1		585	1760
12		2	OSB	1100	2500
13A		2		1000	2500
13B		1		500	2500
14		8	15	35	1080
15		4	13	92	1120
17		2	15	75	145
18		6			
19		3			
20		2	15	35	855
21		4-8	OSB	35	300-1300
22		1	15	69	1180
24		4	15	35	1250

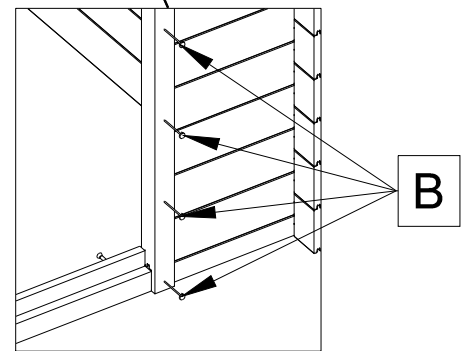
1



2



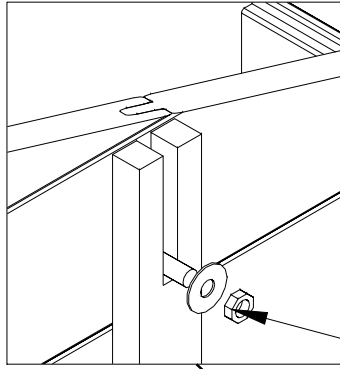
Int.



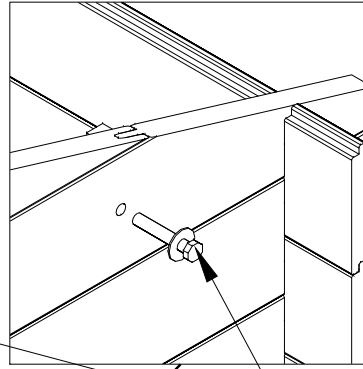
Ext.

3

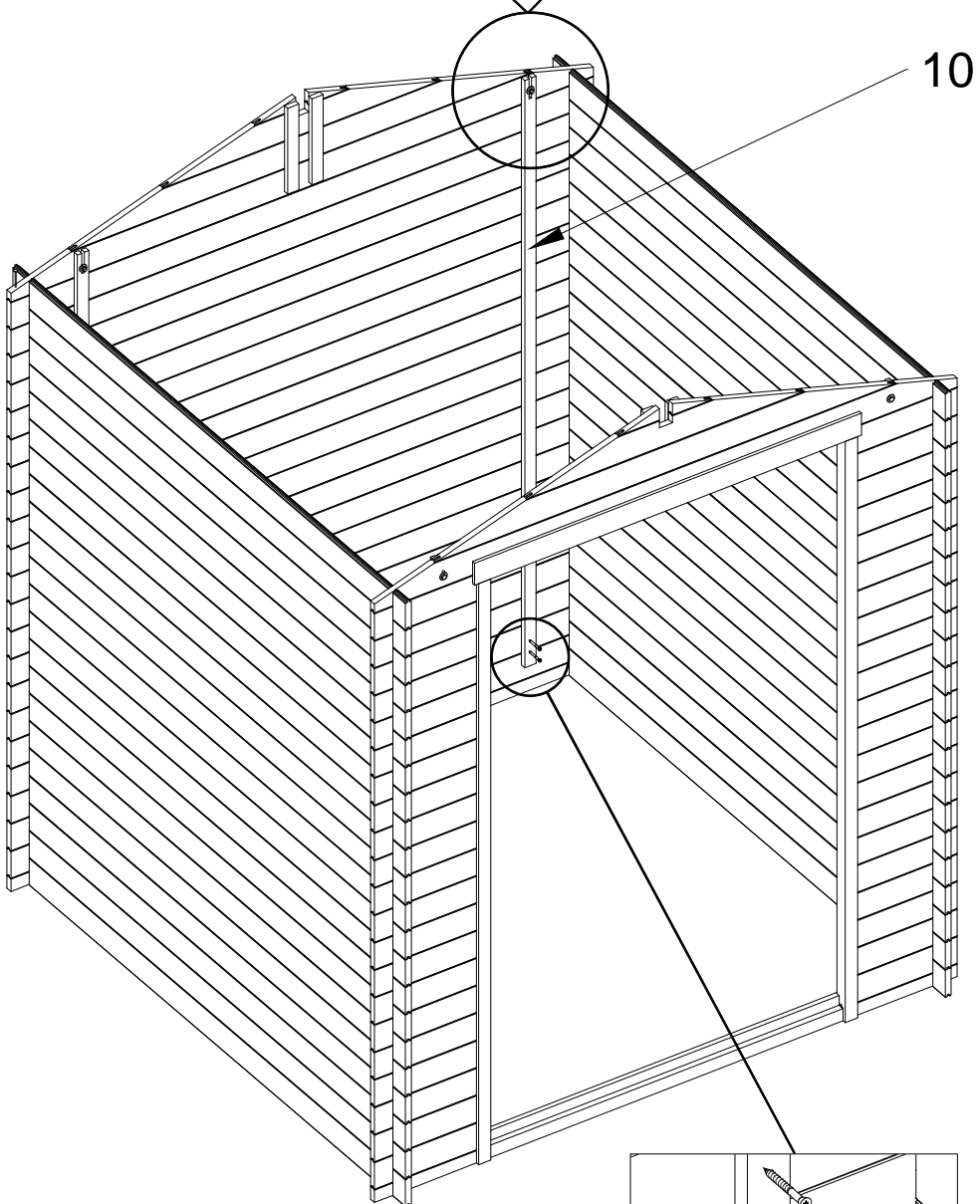
Int.



Ext.

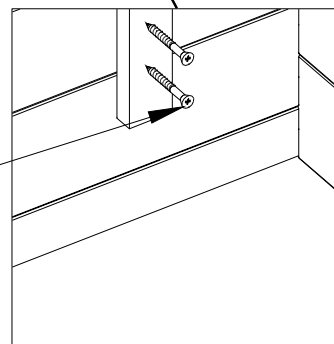


D



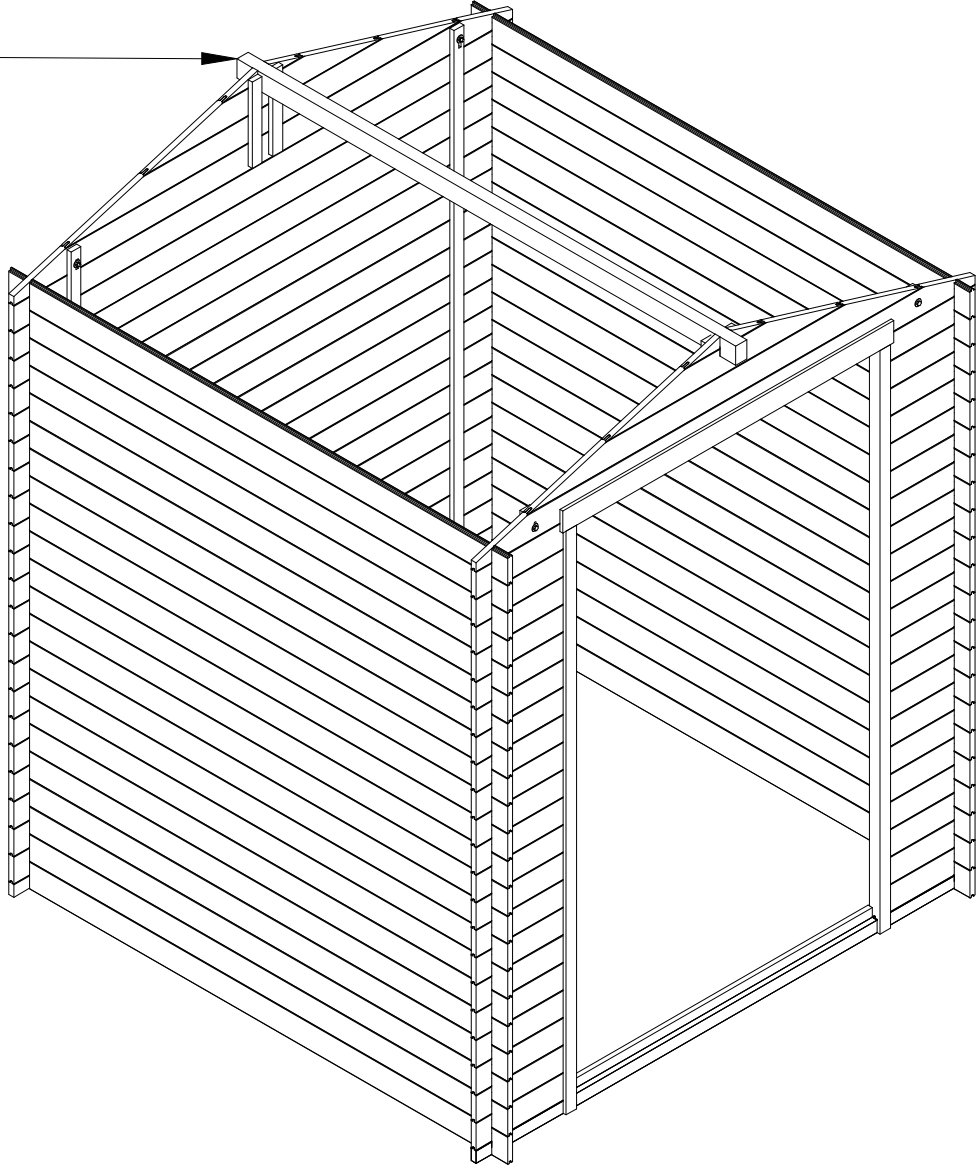
10

C

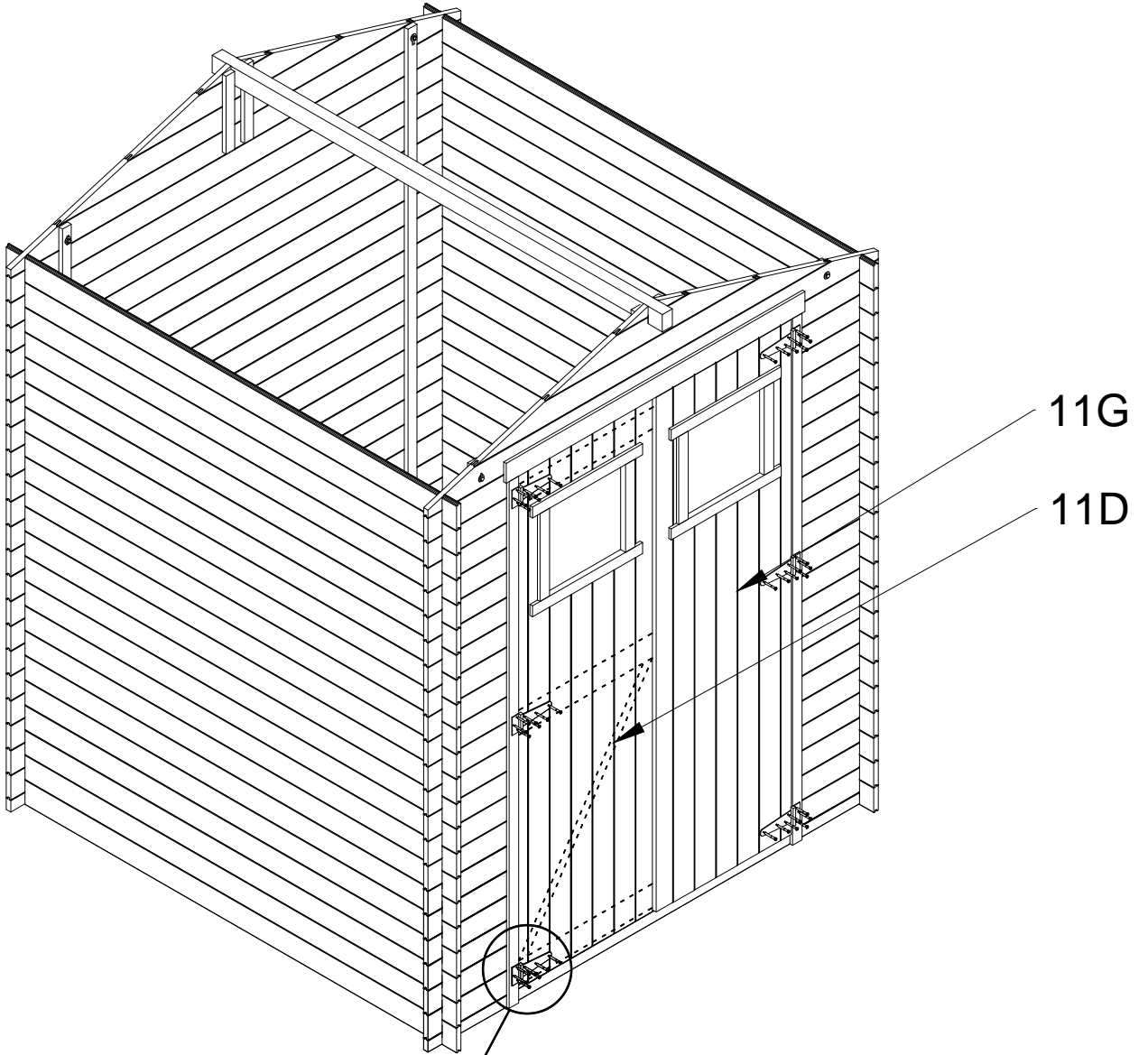


4

9

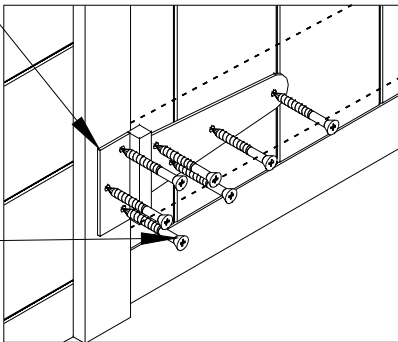


5

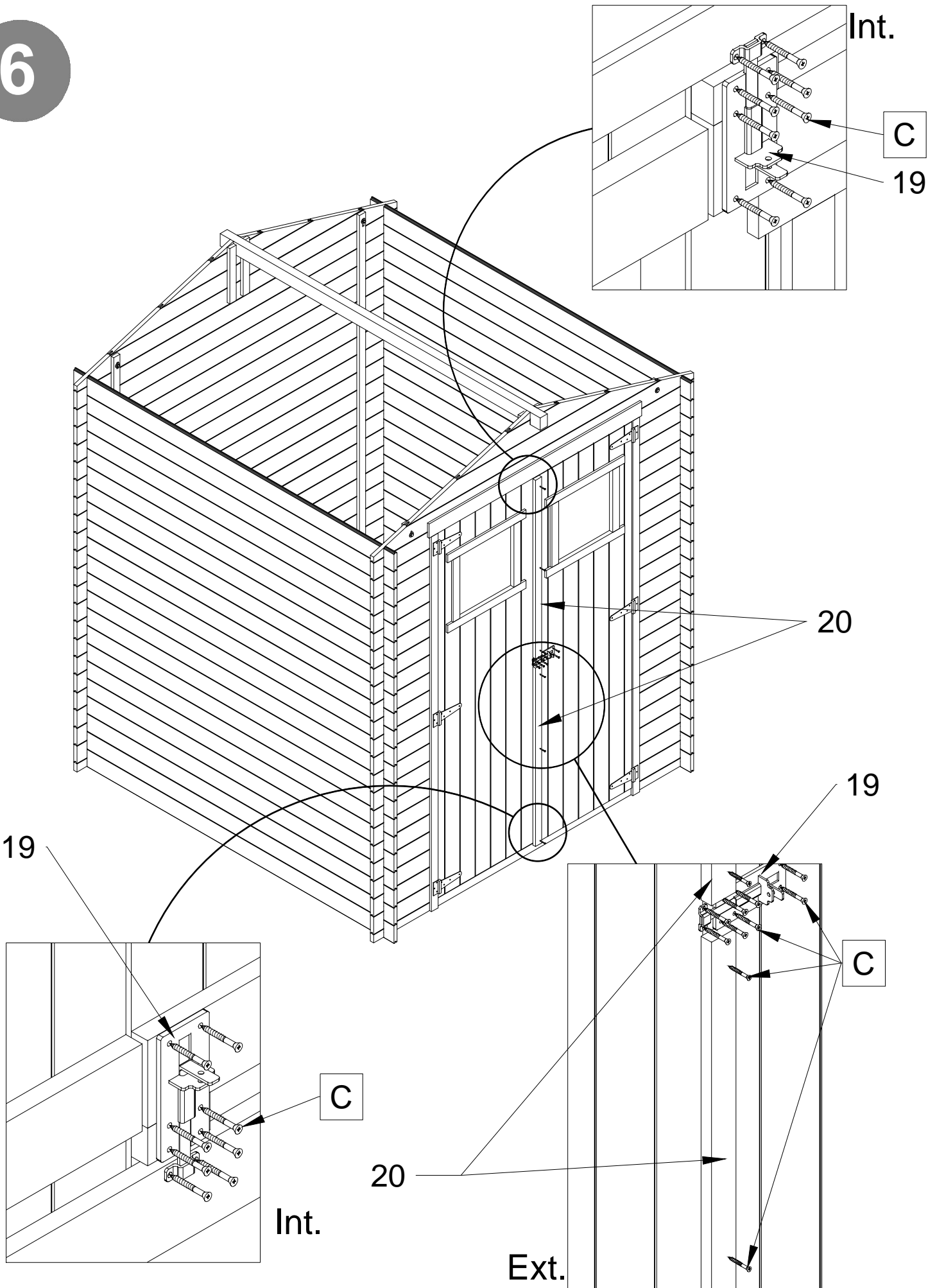


18

C

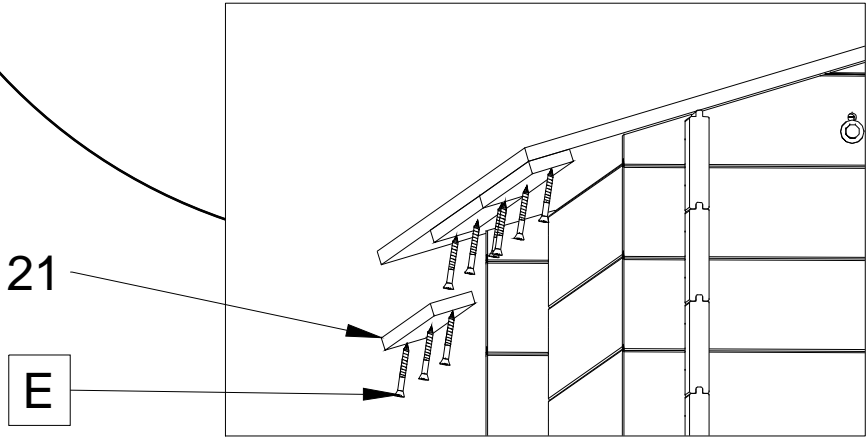
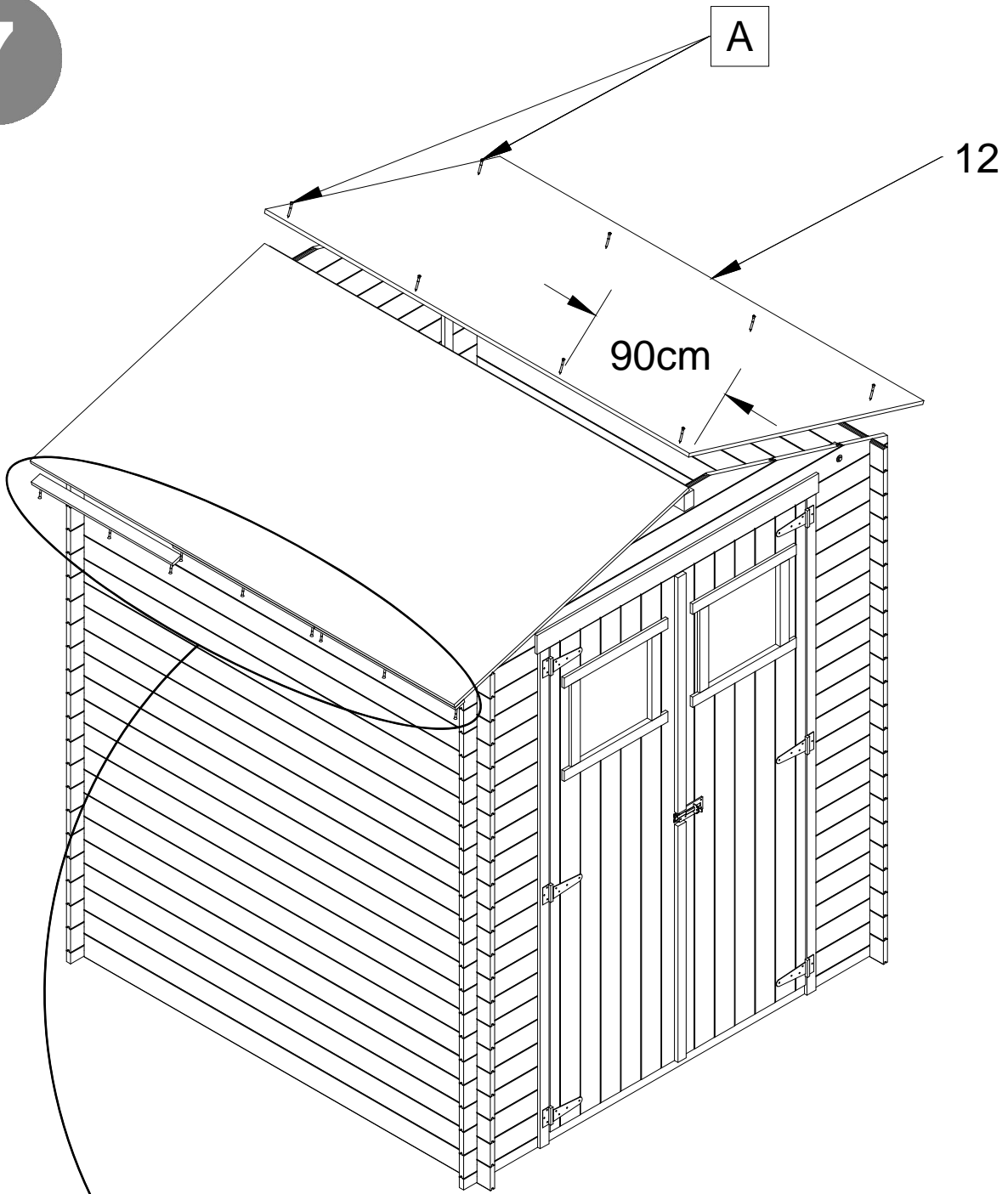


6

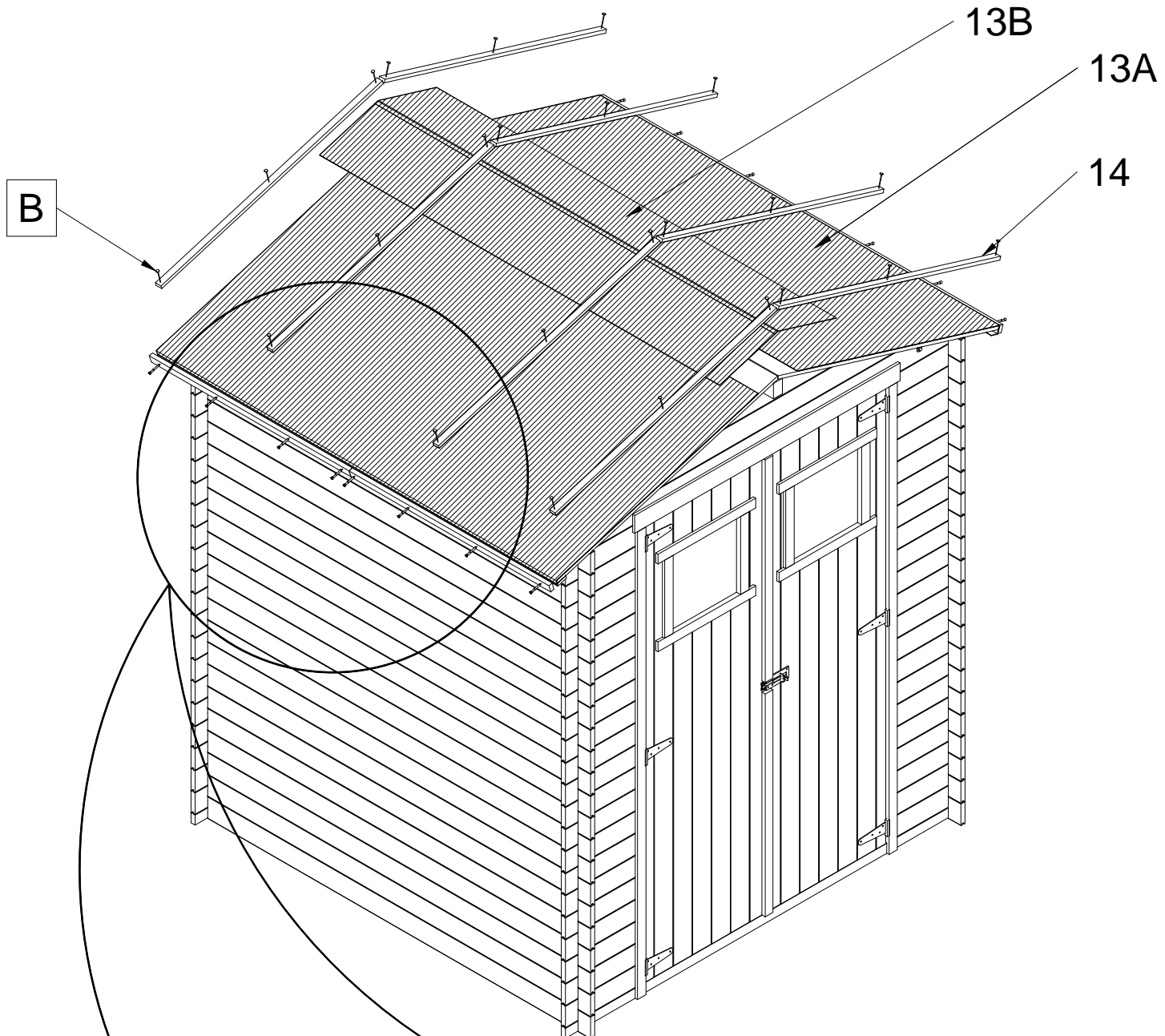




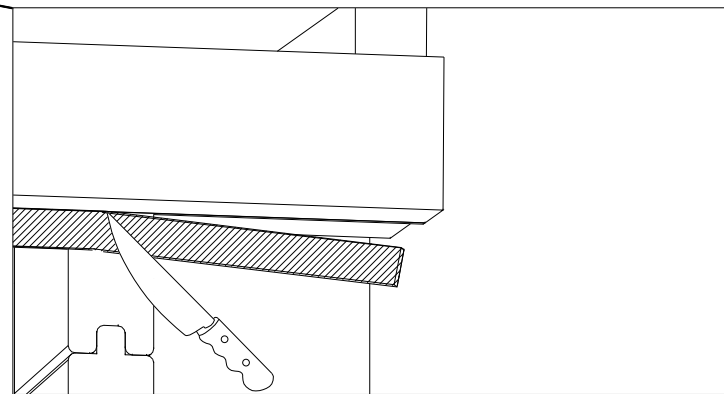
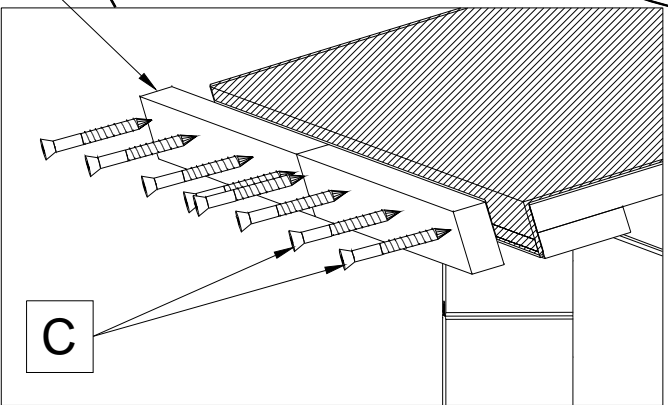
7



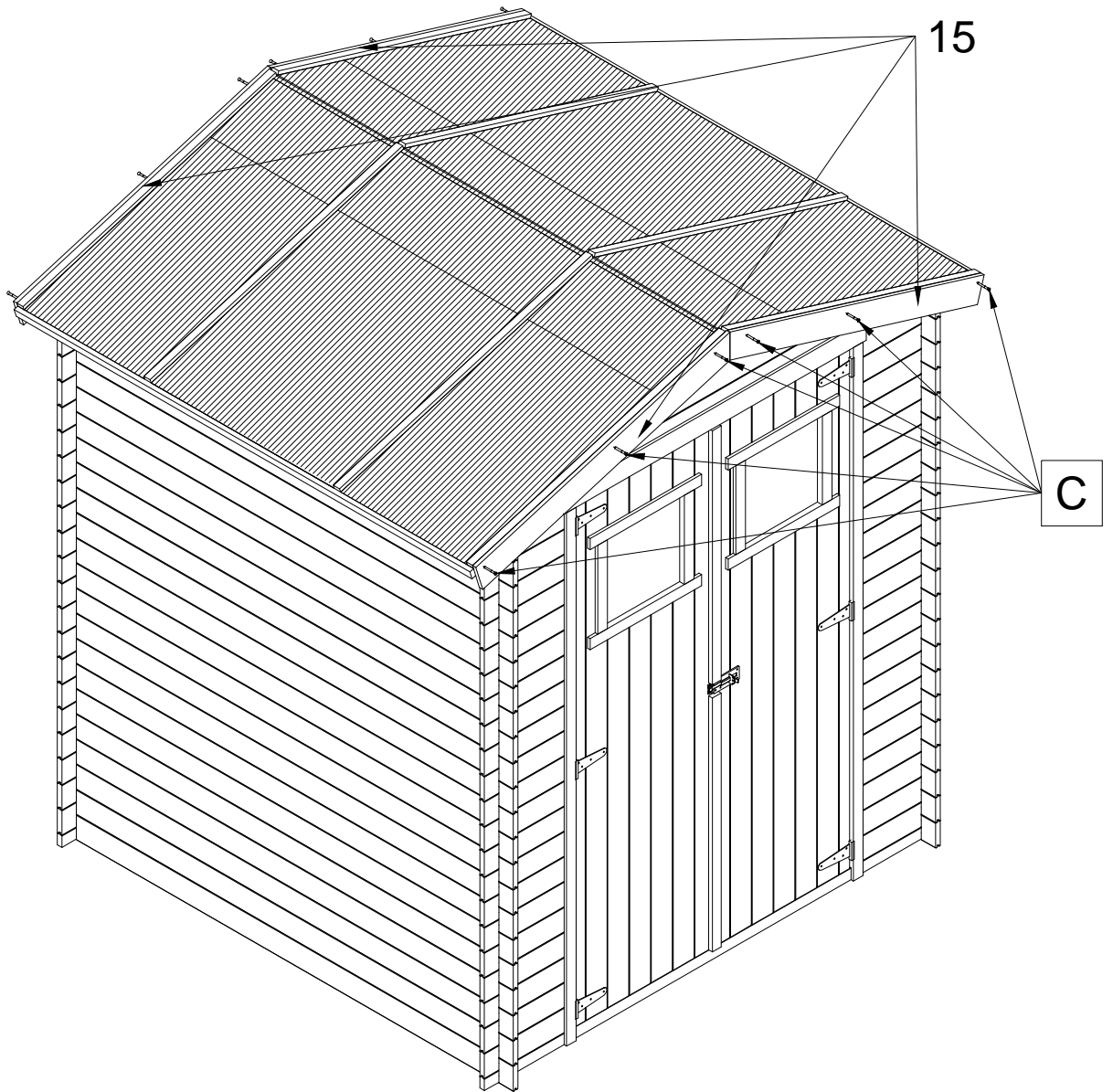
8



24



9

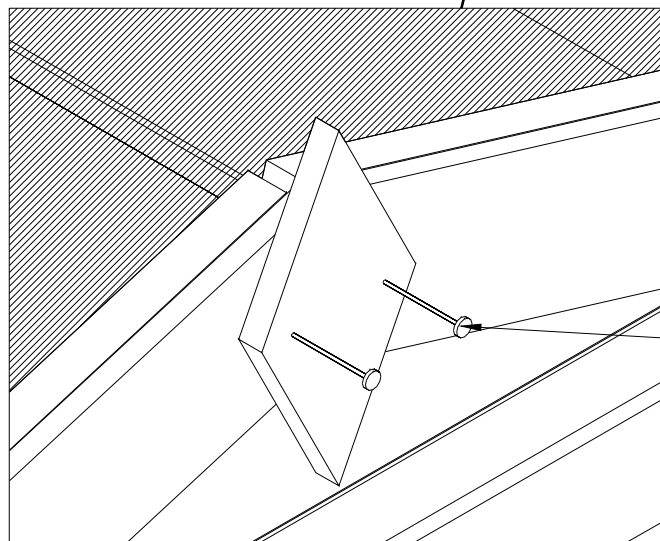
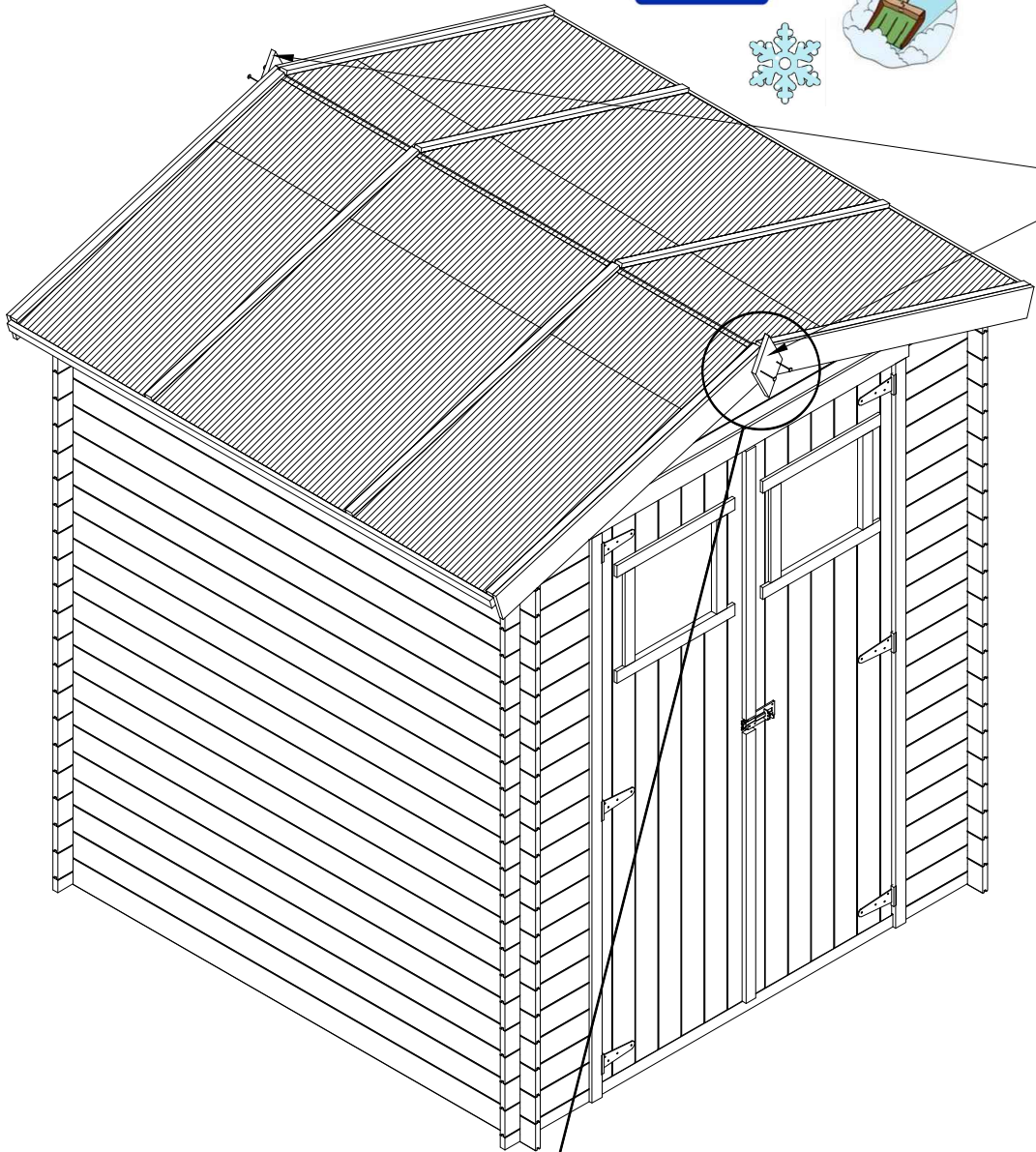


10

MAX  
30 kg/m<sup>2</sup>



17



B